

AEA KO KF HVI 23 GR V2A (819 196)

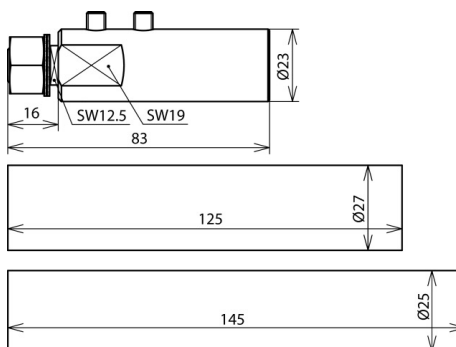


Figure without obligation

Connection element for sealing the HVI long Conductor, for establishing the sealing end of the conductor on the outside of the supporting tube (head piece for connection plate, incl. two heat-shrinkable sleeves).

Type	AEA KO KF HVI 23 GR V2A
Part No.	819 196
Material	StSt
Connection	M12 thread
Diameter Ø connection element	23 mm
Type	with Nord lock washer
Screw	M6 x 8 threaded bolt mm
Material of screw / nut	StSt
Standard	DIN IEC/TS 62561-8 (VDE V 0185-561-8)
Weight	192 g
Customs tariff number (Comb. Nomenclature EU)	85389099
GTIN	4013364222229
PU	1 pc(s)

We reserve the right to introduce changes in performance, configuration and technology, dimensions, weights and materials in the course of technical progress. The figures are shown without obligation.