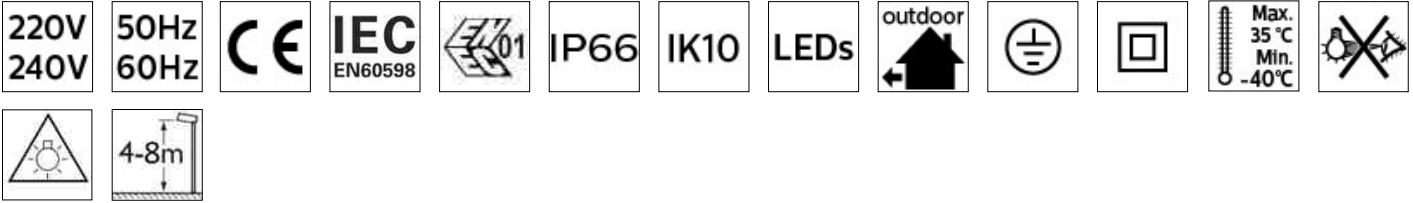


PHILIPS

TownTune Central Post-Top





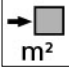

BDP260/261/262/263



Standard luminaire housing BDP260 is IK10. Added accessories are rated at IK08.
As accessories are not a structural part of the luminaire housing, the IK rating for the luminaire housing remains IK10.

Photobiological Risk	RG1 (valid for Neutral and Warm White)
Luminaire Surge Protection	DM/CM 6/8 kV (C-I/C-II)
Luminaire Surge Protection with SPD *optional	DM/CM 10/10 kV (C-I) - 10/8 kV (C-II) - 10/10 kV (C-II) (optional ground for installer)

			LEDs	W +/-10%	Source +/-7%				
			LED14	12	10	1400			
			LED16	12	11	1600			
			LED18	12	12	1800			
			LED20	12	13	2000			
			LED22	12	14	2200			
			LED24	12	16	2400			
			LED27	12	18	2700			
			LED30	12	20	3000			
			LED35	12	24	3500			
			LED39	12	27	3900			
740			LED45	20	29	4500	✓	✓	0,042
			LED50	20	32	5000			6,8kg*
			LED55	20	35	5600			
			LED59	20	38	6000			
			LED64	20	42	6400			
			LED69	40	41	7000			
			LED74	40	44	7400			
			LED79	40	47	8000			
			LED84	40	50	8400			
			LED90	40	53	9000			
			LED94	40	56	9400			
			LED100	40	60	10000			

			LEDs	W +/-10%	Source +/-7%				
			LED12	12	10				
			LED14	12	12				
			LED16	12	13				
			LED18	12	15				
			LED20	12	16				
			LED22	12	18				
			LED24	12	20				
			LED27	12	22				
			LED30	12	25				
830			LED35	20	28	✓	✓	0,042	6,8kg*
			LED39	20	31				
			LED45	20	36				
			LED50	20	40				
			LED55	40	40				
			LED59	40	43				
			LED64	40	47				
			LED69	40	51				
			LED74	40	55				
			LED79	40	59				

Surface to the wind (m²) without embellishment accessories

* Weight without mounting devices

Weight of decorative ring 0,6 kg

Weight of top accessory cone 1,1 kg

Weight of top accessory dome 0,8 kg

Temperature protection:

The LED drivers have temperature protection circuits to switch off the output when the device gets too warm.

Power will return automatically when the temperature has dropped again.

Remark:

Photometric data will be provided upon customer request.

 **WARNING**

This luminaire must be installed only by qualified personnel.
If the external flexible cable or cord of this luminaire is damaged, it shall be exclusively replaced by the manufacturer or his service agent or a similar qualified person in order to avoid a hazard.

The light source contained in this luminaire shall only be replaced by the manufacturer or his service agent or a similar qualified person



Disconnect before servicing



Use gloves to manipulate the luminaire



The space between lyre and luminaire could be a pinch point
Keep hands clear during operation.



Free rotation of the lyre can cause damage in painted parts



Follow this mounting instructions to fix install and maintain

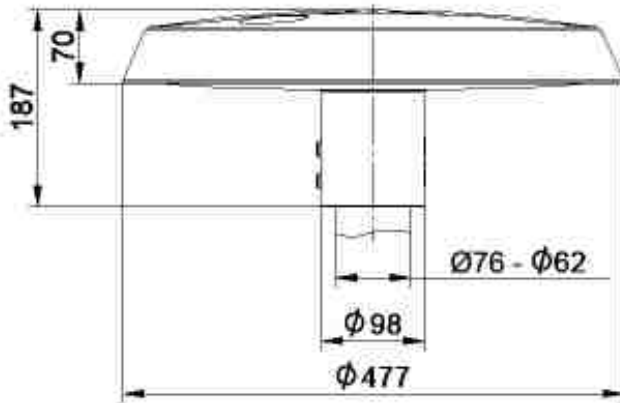


Never modify the luminaire or the fixations

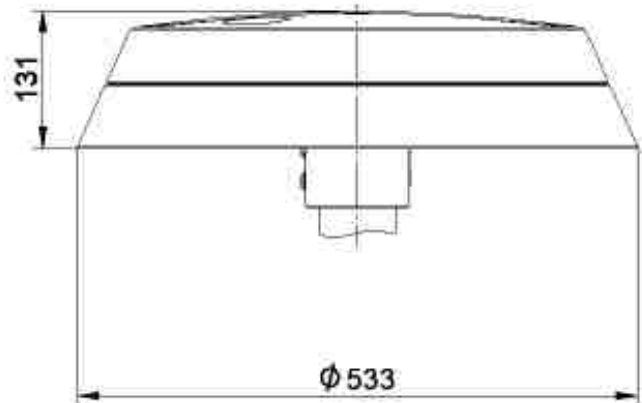


Risk of accident due to incorrect tightening torque

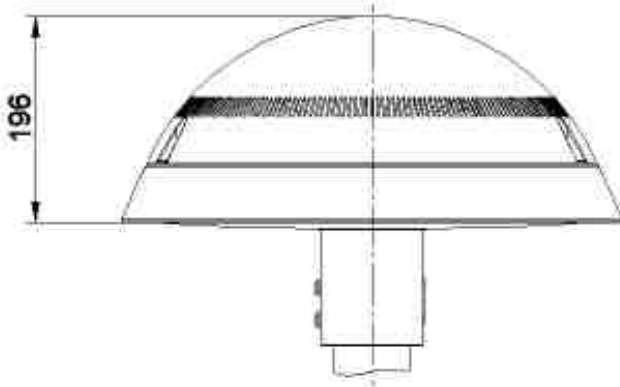
TOWNTUNE CENTRAL POST-TOP
(Wind surface 0,042m² / SCx 0,033m²)



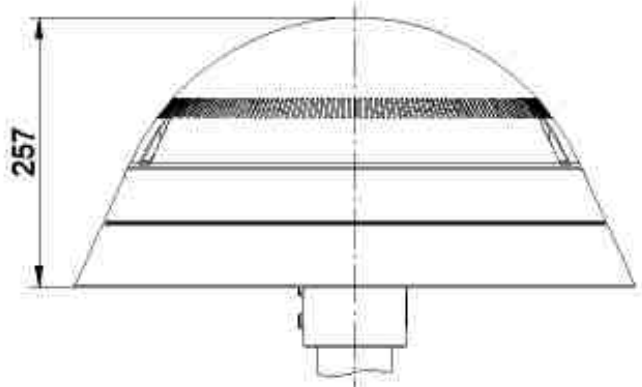
TOWNTUNE CENTRAL POST-TOP DR
(Wind surface 0,066m² / SCx 0,036m²)



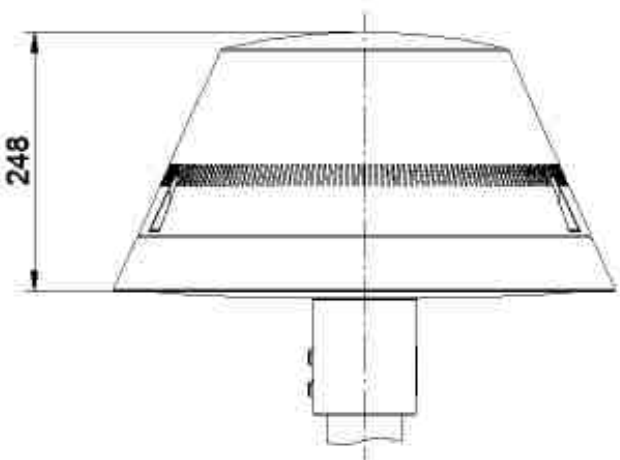
TOWNTUNE CENTRAL POST-TOP DTD
(Wind surface 0,082m² / SCx 0,039m²)



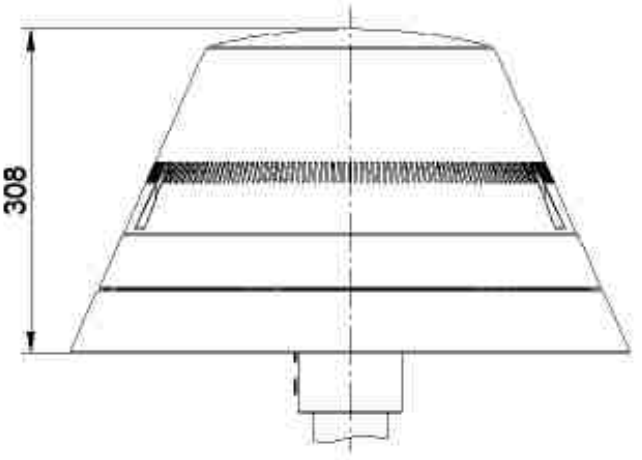
TOWNTUNE CENTRAL POST-TOP DR DTD
(Wind surface 0,11m² / SCx 0,057m²)

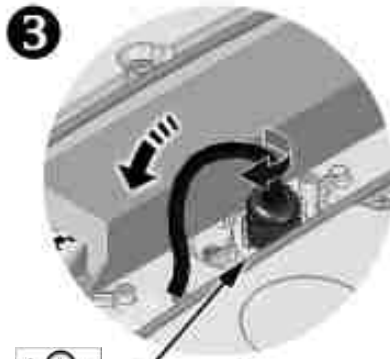
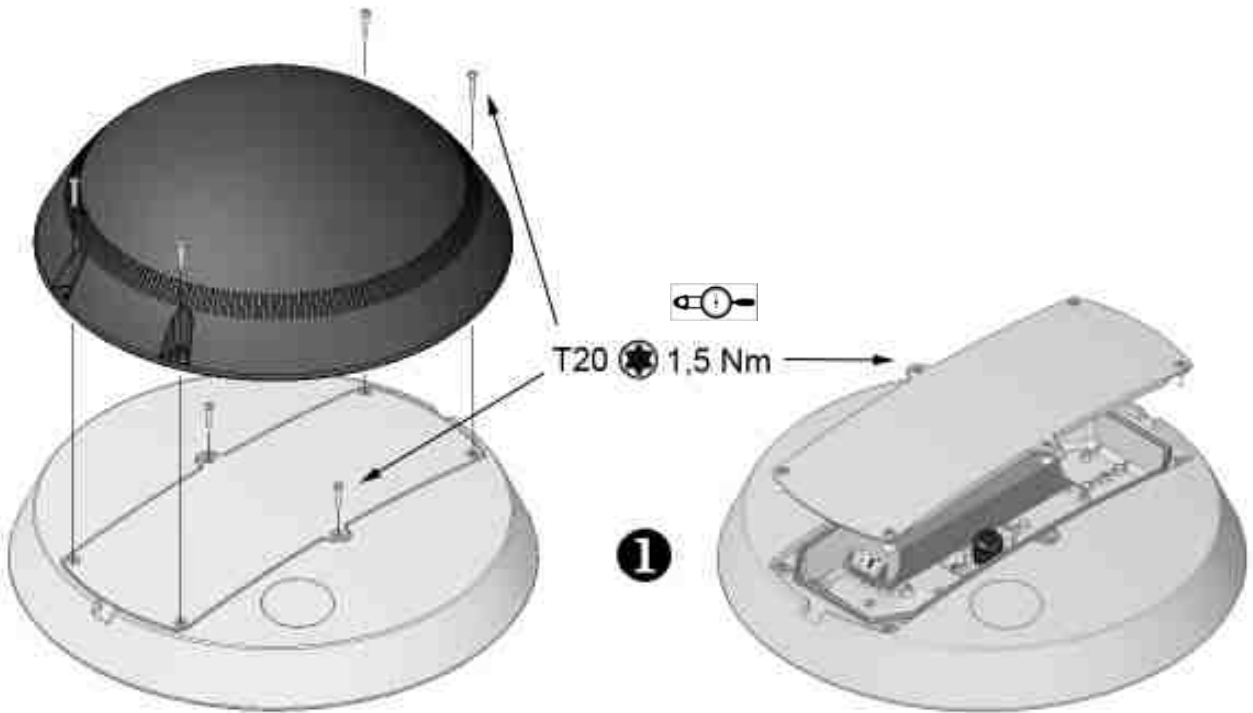


TOWNTUNE CENTRAL POST-TOP DTC
(Wind surface 0,11m² / SCx 0,052m²)



TOWNTUNE CENTRAL POST-TOP DR DTC
(Wind surface 0,13m² / SCx 0,071m²)

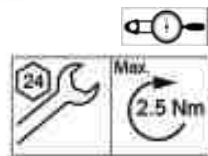




always connect to upper terminals of the connector



STANDARD VERSION



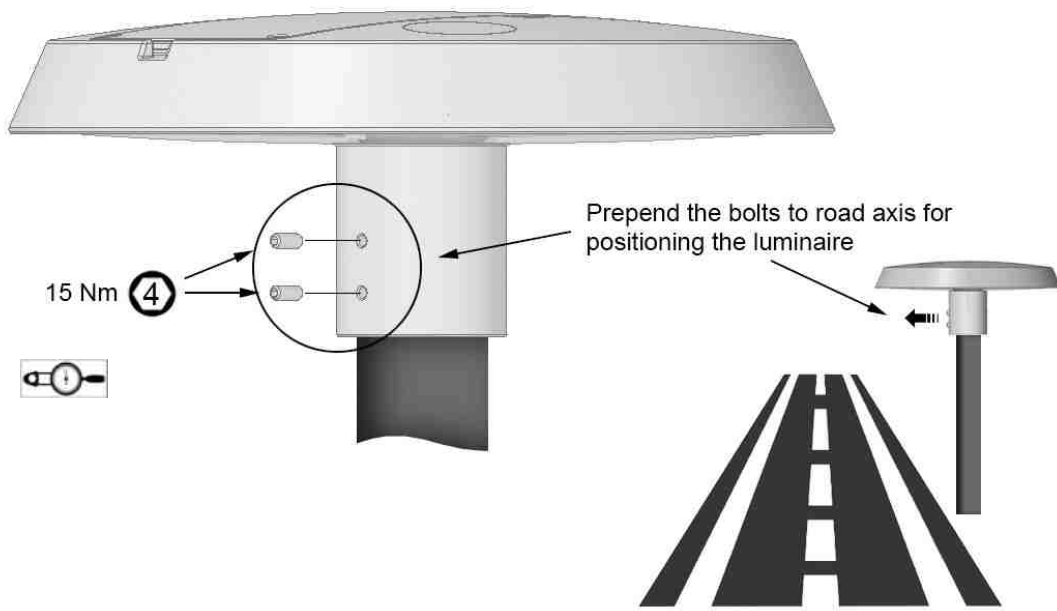
LC05 VERSION



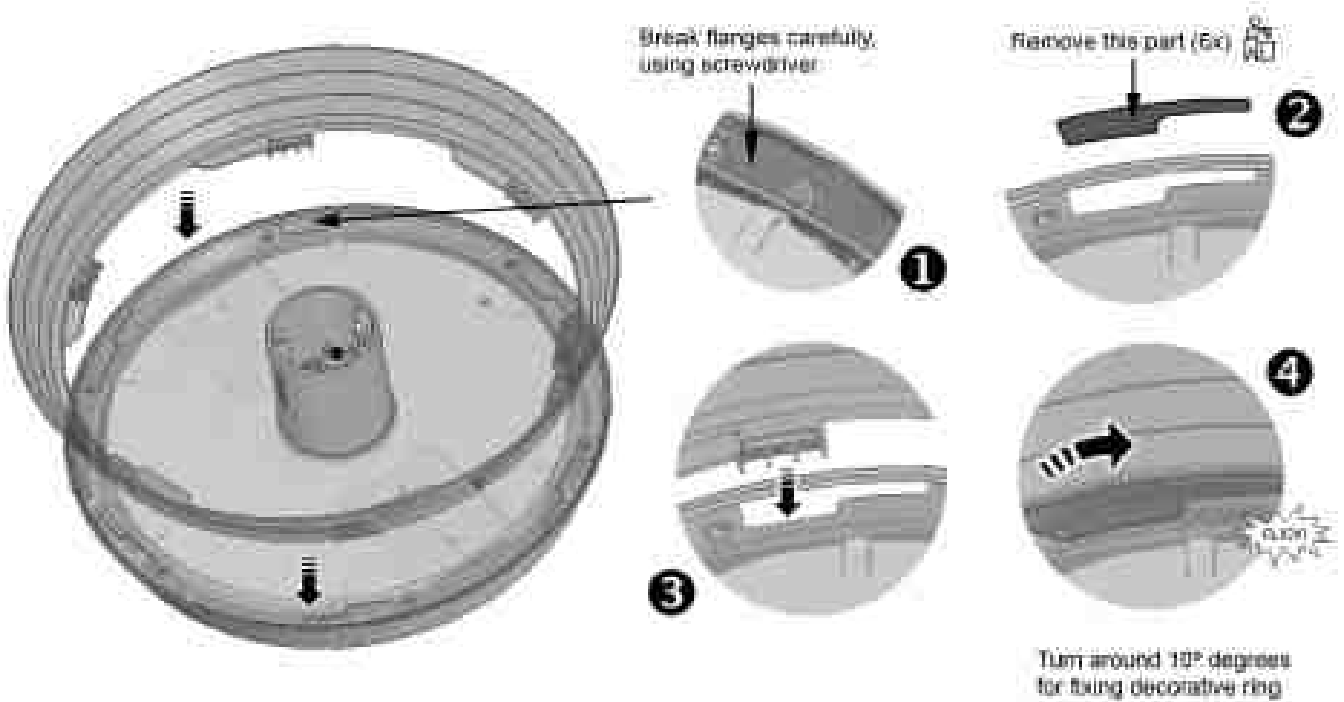
Allowed cable range Ø5-Ø8,7-Ø12 mm



SPIGOT FIXATION



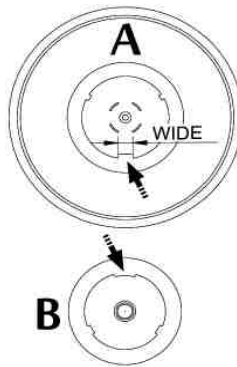
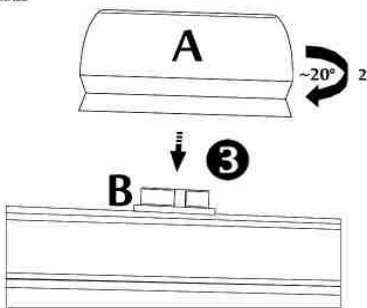
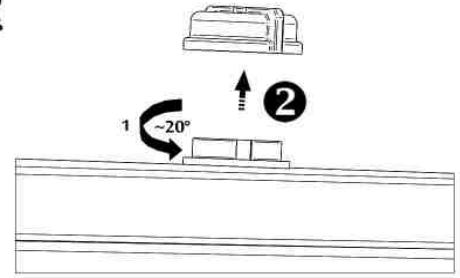
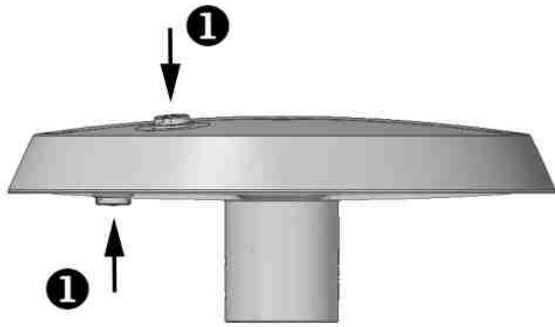
DECORATIVE RING FIXATION



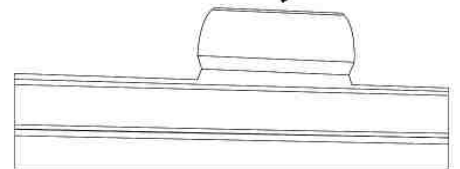


MOUNTING OF PHOTOCELLS

Citytouch OLC COM SR



~~X~~ check power
 ✓ green LED

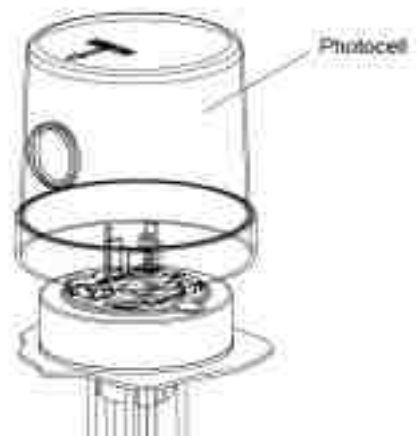


1

Citytouch OLC NEMA SR

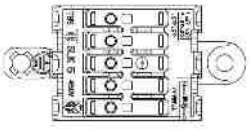
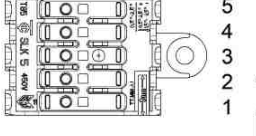



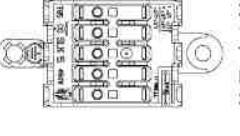
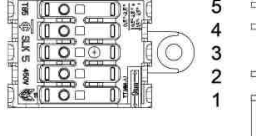

1. Push Downward 2. Twist Clockwise Lock

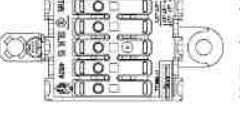
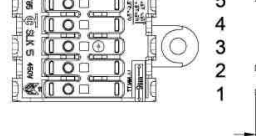



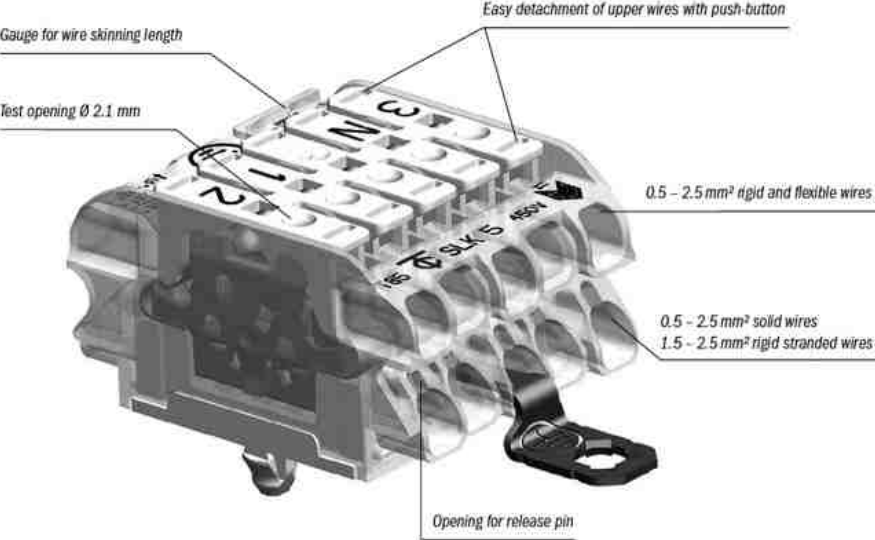
2


TYPES OF MAIN CONNECTION (STANDARD VERSION)

(PSU) (PSA) (PSDD) CONNECTION					
Class-I			Class-II		
	3	LINE (Brown)		1	LINE (Brown)
	N	NEUTRAL (Blue)		2	NEUTRAL (Blue)
		GROUND (Yellow & Green)		3	(Optional for installer) GROUND
	1	-		4	-
	2	-		5	-

(PSD) CONNECTION					
Class-I			Class-II		
	3	LINE (Brown)		1	LINE (Brown)
	N	NEUTRAL (Blue)		2	NEUTRAL (Blue)
		GROUND (Yellow & Green)		3	(Optional for installer) GROUND
	1	DALI		4	DALI
	2	DALI		5	DALI


(PSR) CONNECTION					
Class-I			Class-II		
	3	LINE (Brown)		1	LINE (Brown)
	N	NEUTRAL (Blue)		2	NEUTRAL (Blue)
		GROUND (Yellow & Green)		3	(Optional for installer) GROUND
	1	-		4	-
	2	Lineswitch		5	Lineswitch

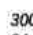




Nominal voltage 450 V
Nominal current 24 A
Clamping range upper terminals 0.5 - 2.5 mm² rigid and flexible wires
Clamping range lower terminals detachment of wire with push-button
0.5 - 2.5 mm² solid wires,
1.5 - 2.5 mm² rigid stranded wires,
detachment of wire with release pin

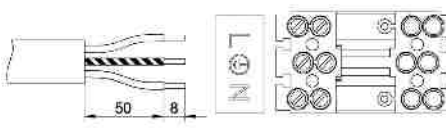
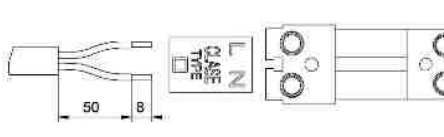

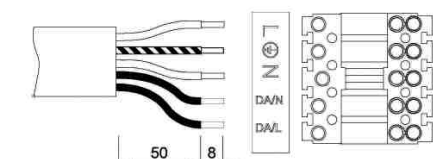
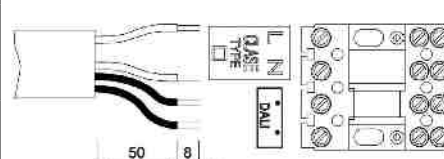

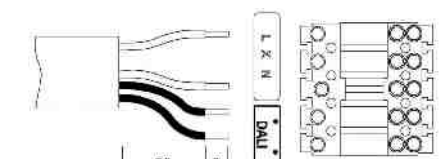
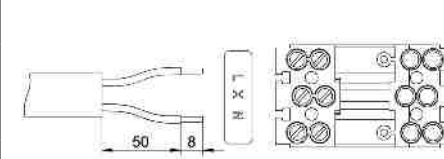
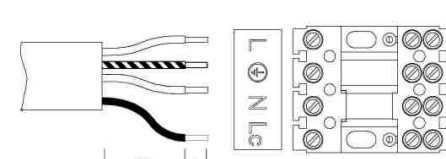
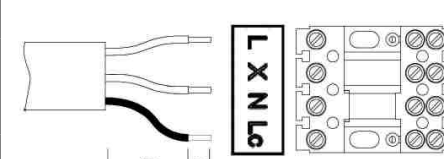

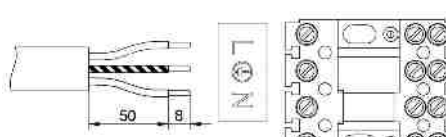
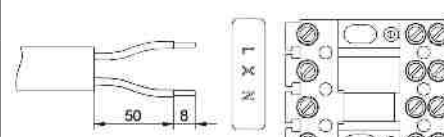

Wire skinning length 9 ± 1 mm



Nominal voltage 300 V  according to EN 60598-1
Nominal current 24 A
Clamping range upper terminals 0.5 - 2.5 mm² rigid and flexible wires
Clamping range lower terminals detachment of wire with push-button
0.5 - 2.5 mm² solid wires,
1.5 - 2.5 mm² rigid stranded wires,
detachment of wire with release pin

Wire skinning length 9 ± 1 mm

TYPES OF MAIN CONNECTION (LC05 VERSION)

(PSU) (PSA) (PSDD) CONNECTION					
Class-I			Class-II		
	L	LINE (Brown)		L	LINE (Brown)
		GROUND (Yellow & Green)		N	NEUTRAL (Blue)
	N	NEUTRAL (Blue)		-	-
(PSD) CONNECTION					
Class-I			Class-II		
	L	LINE (Brown)		L	LINE (Brown)
		GROUND (Yellow & Green)		N	NEUTRAL (Blue)
	N	NEUTRAL (Blue)		DA	DALI
	DA/L	DALI		DA	DALI
	DA/N	DALI		-	-
(PSD) CONNECTION (with Surge Protection)			(PSU) (PSA) (PSDD) CONNECTION (with Surge Protection)		
Class-II					
	L	LINE (Brown)		L	LINE (Brown)
	X	(Optional for installer) GROUND		X	(Optional for installer) GROUND
	N	NEUTRAL (Blue)		N	NEUTRAL (Blue)
	DA	DALI		-	-
	DA	DALI		-	-
(PSR) CONNECTION					
Class-I			Class-II		
	L	LINE (Brown)		L	LINE (Brown)
		GROUND (Yellow & Green)		X	(Optional for installer) GROUND
	N	NEUTRAL (Blue)		N	NEUTRAL (Blue)
	Lc	LineSwich		Lc	LineSwich
(PHOTOCELL) CONNECTION					
Class-I			Class-II		
	L	LINE (Brown)		L	LINE (Brown)
		GROUND (Yellow & Green)		X	(Optional for installer) GROUND
	N	NEUTRAL (Blue)		N	NEUTRAL (Blue)

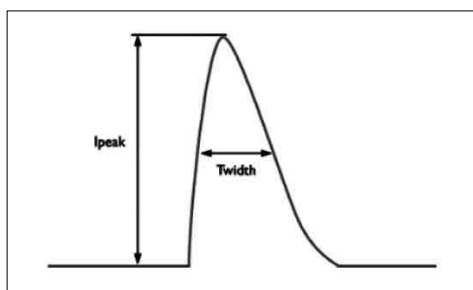


	Full Prog	Coded Mains	System Ready
The maximum number of luminaires with driver 40W to be connected in MCB 16A TYPE B (mains impedance 200 mΩ + 400 μH)	20	20	21
Inrush current Ipeak*	22 A	22 A	21 A
Inrush current Twidth **	290 μs	290 μs	300 μs

* input voltage 230V
** input voltage 230V, measured at 50% Ipeak

	Full Prog	Coded Mains	System Ready
The maximum number of luminaires with driver 75W to be connected in MCB 16A TYPE B (mains impedance 200 mΩ + 400 μH)	11	11	6
Inrush current Ipeak*	65 A	65 A	21 A
Inrush current Twidth **	330 μs	330 μs	300 μs

* input voltage 230V
** input voltage 230V, measured at 50% Ipeak



CLEANING

The luminaire is protected against water ingress to IP66. Sealed design ensures that this rating will be maintained over the full lifetime of the product.



The luminaire may be cleaned by brush with short&soft bristles.

Extra care must be taken when cleaning around the external cables and connector in order to prevent damage.

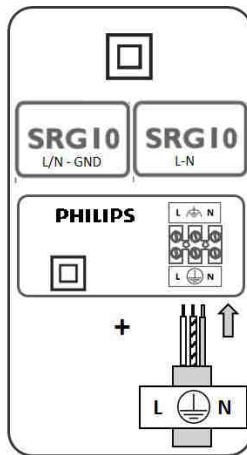
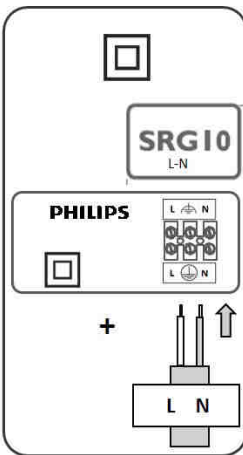
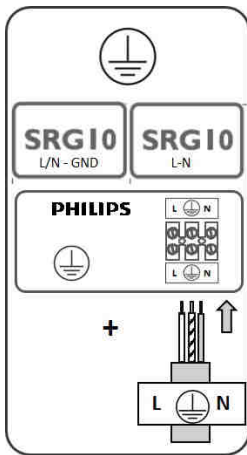
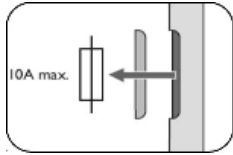


Do not use high pressure water jet or high pressure cleaners.

If clear water is not sufficient for cleaning, use a neutral, synthetic, not-scratching and non-abrasive substances.

Never use alkaline and/or acetous cleaning substances. Make sure that cleaning substance is fully removed by rinsing with clean water.

SRG10 10 KV PROTECTION



10kV extra surge protection (SRG10) is ensuring Differential mode protection.

In class II:
In order to also cover Common mode, PE (Protective Earth) connection to the SPD is to be added at installation. Surges due to discharge for electrostatic fields (ESD) are not covered when installed onto insulated material poles (to protect an equipotential connection is required between the metal housing of the luminaire and the earth; in that case it is better to use a Class I (luminaire).

Have you already downloaded the Philips Service tag app?

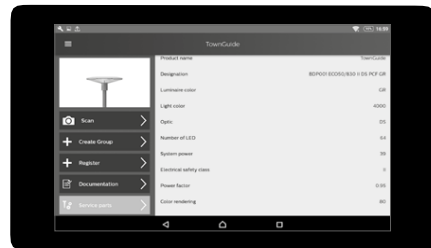
It helps you make LED maintenance easier and faster!

1. Download the app

App herunterladen

Descargar la app

Télécharger l'application



iOS



Android



2. Place tag on the fuse box

Stelle den Tag auf den Sicherungskasten

Colocar la etiqueta en la caja de fusibles

Placer le tag sur le boîtier appareillage



3. Register the product

Produktregistrierung

Registrar el producto

Enregistrer le produit



And also...

Und ebenso... Y también... Et aussi...



Mounting instructions

Montageanleitung

Instrucciones de montaje

Instructions de montage

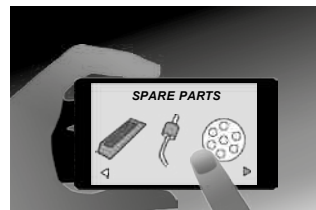


Troubleshooting

Problemebehebung

Resolución de problemas

Dépannage

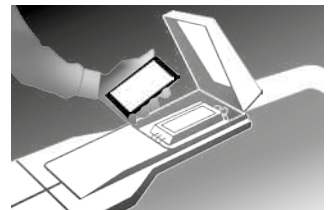


Spare parts list

Ersatzteilliste

Listado de repuestos

Liste des pièces de rechange



Driver re-programming

Treiber Neuprogrammierung

Reprogramación del driver

Reprogrammation du Driver

Want to know more about Service tag?

Go to www.philips.com/servicetag

Annex I : Simplified EU Declaration of Conformity

Hereby, **Philips Lighting B.V** declares that the radio equipment type included into the luminary is in compliance with Directive 2014/53/EU. The full text of the EU declaration of conformity is available at the following internet address : <http://www.lighting.philips.com/main/prof>

	Philips Lighting B.V
ES	Por la presente, declara que el tipo de equipo radioeléctrico es conforme con la Directiva 2014/53/UE. El texto completo de la declaración UE de conformidad está disponible en la dirección Internet siguiente: http://www.lighting.philips.com/main/prof
EN	Hereby, declares that the radio equipment type is in compliance with Directive 2014/53/EU. The full text of the EU declaration of conformity is available at the following internet address: http://www.lighting.philips.com/main/prof
FR	Le soussigné, déclare que l'équipement radioélectrique du type est conforme à la directive 2014/53/UE. Le texte complet de la déclaration UE de conformité est disponible à l'adresse internet suivante: http://www.lighting.philips.com/main/prof
IT	Il fabbricante, dichiara che il tipo di apparecchiatura radio è conforme alla direttiva 2014/53/UE. Il testo completo della dichiarazione di conformità UE è disponibile al seguente indirizzo Internet: http://www.lighting.philips.com/main/prof
DE	Hiermit erklärt dass der Funkanlagentyp der Richtlinie 2014/53/EU entspricht. Der vollständige Text der EU-Konformitätserklärung ist unter der folgenden Internetadresse verfügbar: http://www.lighting.philips.com/main/prof
DA	Hermed erklærer, at radioudstyrstypen er i overensstemmelse med direktiv 2014/53/EU. EU-overensstemmelseserklæringens fulde tekst kan findes på følgende internetadresse: http://www.lighting.philips.com/main/prof
NL	Hierbij verklaar ik, dat het type radioapparatuur conform is met Richtlijn 2014/53/EU. De volledige tekst van de EU-conformiteitsverklaring kan worden geraadpleegd op het volgende internetadres: http://www.lighting.philips.com/main/prof
PL	niniejszym oświadczam, że typ urządzenia radiowego jest zgodny z dyrektywą 2014/53/UE. Pełny tekst deklaracji zgodności UE jest dostępny pod następującym adresem internetowym: http://www.lighting.philips.com/main/prof
HU	igazolja, hogy a típusú rádióberendezés megfelel a 2014/53/EU irányelvnek. Az EU-megfelelőségi nyilatkozat teljes szövege elérhető a következő internetes címen: http://www.lighting.philips.com/main/prof
CS	Tímto prohláŕuju, Ŕe typ rádiového zařizení je v souladu se smĚrnicí 2014/53/EU. Úplné znĚní EU prohláŕení o shodĚ je k dispozici na této internetové adrese: http://www.lighting.philips.com/main/prof
SL	potrjuje, da je tip radijske opreme skladen z Direktivo 2014/53/EU. Celotno besedilo izjave EU o skladnosti je na voljo na naslednjem spletnem naslovu: http://www.lighting.philips.com/main/prof
LV	Ar ņo deklarĕ, ka radioiekārta atbilst Direktīvai 2014/53/ES. Pilns ES atbilstības deklarācijas teksts ir pieejams šādā interneta vietnĕ: http://www.lighting.philips.com/main/prof
LT	Aņ, patvirtinu, kad radijo įrenginių tipas atitinka Direktyvą 2014/53/ES. Visas ES atitikties deklaracijos tekstas prieinamas ņiuo interneto adresu: http://www.lighting.philips.com/main/prof
PT	O abaixo assinado declara que o presente tipo de equipamento de rádio está em conformidade com a Diretiva 2014/53/UE. O texto integral da declaração de conformidade está disponível no seguinte endereço de Internet: http://www.lighting.philips.com/main/prof
SV	Härmed försäkrar att denna typ av radioutrustning överensstämmer med direktiv 2014/53/EU. Den fullständiga texten till EU-försäkran om överensstämmelse finns på följande webbadress: http://www.lighting.philips.com/main/prof



© 2019 Signify Holding.

All rights reserved. This document contains information relating to the product portfolio of Signify which information may be subject to change. No representation or warranty as to the accuracy or completeness of the information included herein is given and any liability for any action in reliance thereon is disclaimed. The information presented in this document is not intended as any commercial offer and does not form part of any quotation or contract. Philips and the Philips Shield Emblem are registered trademarks of Koninklijke Philips N.V.. All other trademarks are owned by Signify Holding or their respective owners.

Signify Holding.