

Datový list | Objednávací číslo: 284-414

Redukční můstek; Izolováno; Z 10/6 mm<sup>2</sup> na 4/2,5/1,5 mm<sup>2</sup>; Jmenovitý proud 15 A; Šedá



[www.wago.com/284-414](http://www.wago.com/284-414)



RoHS   
Compliant

BOMcheck.net

Barva: **Data****Elektrické parametry****Ratings per IEC/EN 60664-1**

Jmenovitý proud	15 A
-----------------	------

**Geometrické údaje**

Šířka	6 mm / 0.236 inch
-------	-------------------

Hloubka	9 mm / 0.354 inch
---------	-------------------

**Údaje o materiálu**

barva	Šedá
-------	------

Požární zatížení	0.013 MJ
------------------	----------

Hmotnost	2.078 g
----------	---------

**Obchodní údaje**

Product Group	1 (Rail Mounted Terminal Blocks)
---------------	----------------------------------

Druh balení	BOX
-------------	-----

Country of origin	DE
-------------------	----

GTIN	4044918255615
------	---------------

Customs Tariff No.	85366990990
--------------------	-------------

**Ke stažení****Documentation****Additional Information**

Technical explanations	03-Apr-2019	pdf 2,1 MB	Stáhnout
------------------------	-------------	---------------	----------

**CAD/CAE-Data****CAD data**

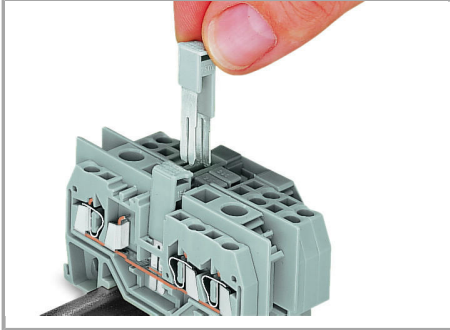
2D/3D Models 284-414	URL	Stáhnout
----------------------	-----	----------

**CAE data**



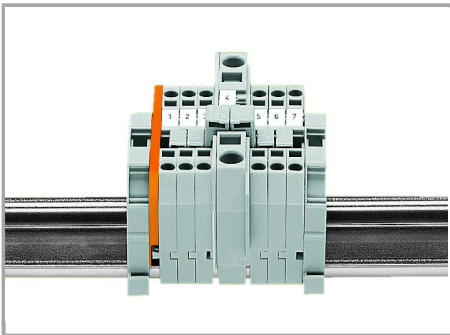
## Handling Instructions

### Jumpered

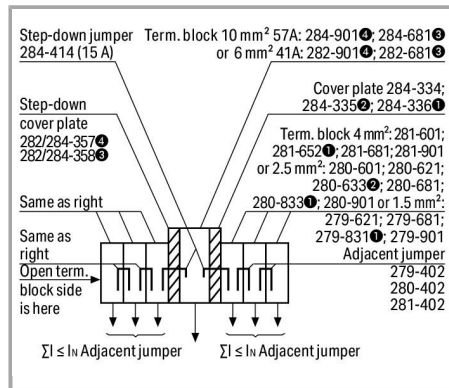


Commoning terminal blocks of different sizes via step-down jumpers.

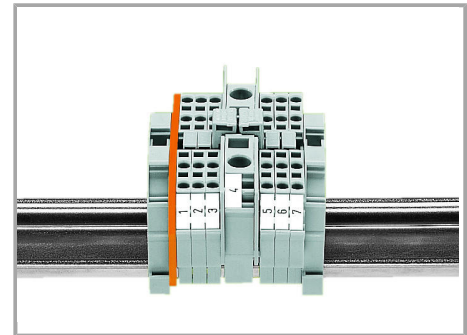
### Jumpered



Commoning from 6 mm<sup>2</sup>/10 AWG (282 Series) to 1.5 mm<sup>2</sup>/16 AWG (279 Series) rail-mount terminal blocks via step-down jumpers.

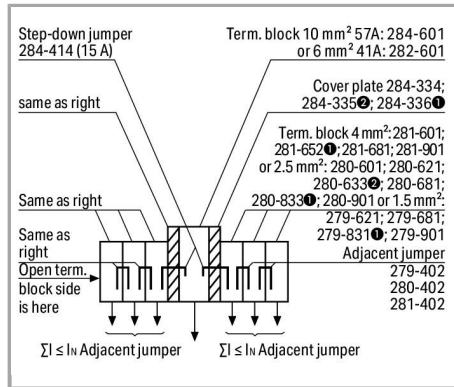


Assembly example: Commoning from 10 /6 mm<sup>2</sup> (8/10 AWG) to 4/2.5/1.5 mm<sup>2</sup> (12/14 /16 AWG) rail-mount terminal blocks via step-down jumper (284-414).

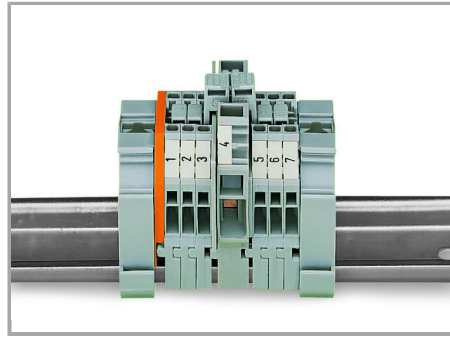


Commoning from 6 mm<sup>2</sup>/10 AWG (282 Series) to 1.5 mm<sup>2</sup>/16 AWG (279 Series) rail-mount terminal blocks via step-down jumpers.

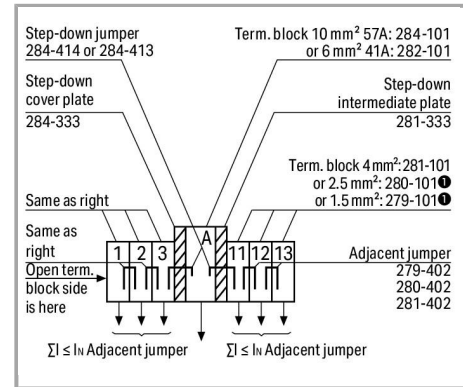
Změny vyhrazeny.



Assembly example: Commoning from 10 /6 mm² (8/10 AWG) to 4/2.5/1.5 mm² (12/14 /16 AWG) rail-mount terminal blocks via step-down jumper (284-414).



Commoning from 6 mm²/10 AWG (282 Series) to 1.5 mm²/16 AWG (279 Series) rail-mount terminal blocks via step-down jumpers.



Assembly example: Commoning from 10 /6 mm² (8/10 AWG) to 4/2.5/1.5 mm² (12/14 /16 AWG) rail-mount terminal blocks via step-down jumper (284-414).

1 Commoning from 10 mm² (284-101) to 2.5 mm² (280-101) or 1.5 mm² (279-101) terminal blocks via terminal block rear side is not possible (see example: terminal block A to 11).

Změny vyhrazeny.