

Datový list | Objednávací číslo: 283-414

Redukční můstek; Izolováno; Z 16 mm² na 4 mm²; Jmenovitý proud 32 A;

Šedá

www.wago.com/283-414



RoHS 
Compliant

BOMcheck.net

Barva: **Data****Elektrické parametry****Ratings per IEC/EN 60664-1**

Jmenovitý proud	32 A
-----------------	------

Geometrické údaje

Šířka	8 mm / 0.315 inch
Hloubka	13 mm / 0.512 inch

Údaje o materiálu

barva	Šedá
Požární zatížení	0.038 MJ
Hmotnost	4.94 g

Obchodní údaje

Product Group	1 (Rail Mounted Terminal Blocks)
Druh balení	BOX
Country of origin	DE
GTIN	4044918398589
Customs Tariff No.	85366990990

Ke stažení**Documentation****Additional Information**

Technical explanations	03-Apr-2019	pdf 2,1 MB	Stáhnout
------------------------	-------------	---------------	----------

CAD/CAE-Data**CAD data**

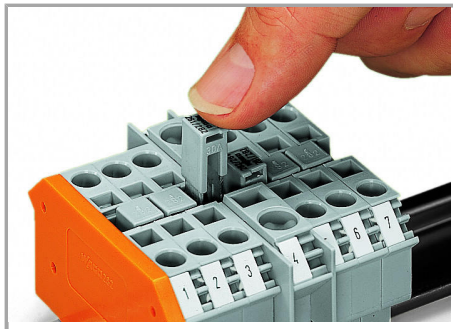
2D/3D Models 283-414	URL	Stáhnout
----------------------	-----	----------

CAE data



Handling Instructions

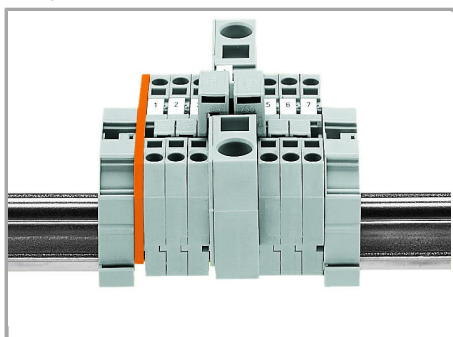
Jumpered



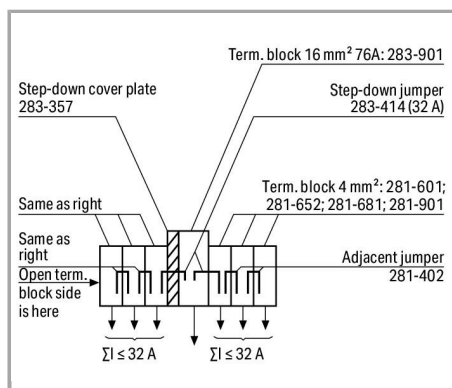
Commoning terminal blocks of different sizes – step down.

Push down the step-down jumper until fully inserted.

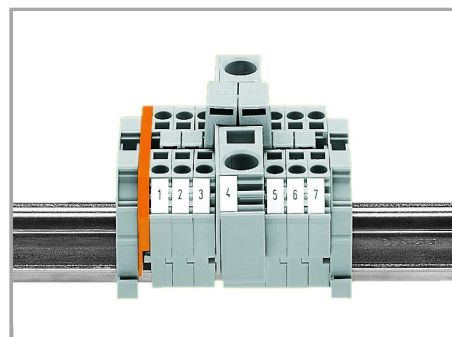
Jumpered



Commoning from 16 mm²/6 AWG (283 Series) to 4 mm²/12 AWG (281 Series) rail-mount terminal blocks via step-down jumpers.

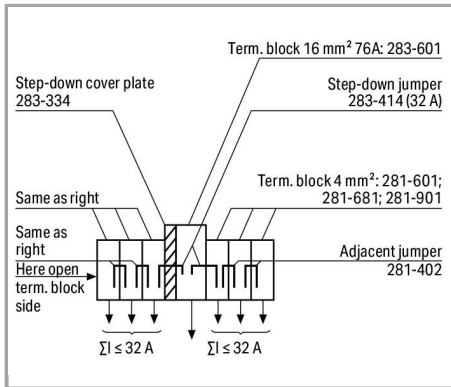


Assembly example: Commoning from 16 mm²/6 AWG to 4 mm²/12 AWG rail-mount terminal blocks via step-down jumper (283-414).

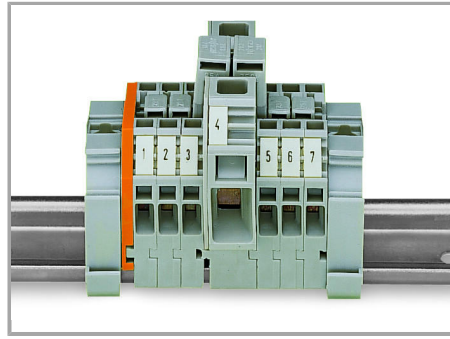


Commoning from 16 mm²/6 AWG (283 Series) to 4 mm²/12 AWG (281 Series) rail-mount terminal blocks via step-down jumpers.

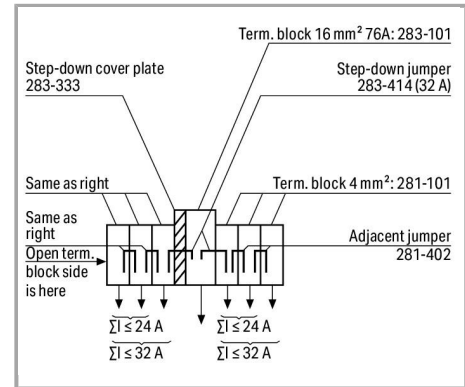
Změny vyhrazeny.



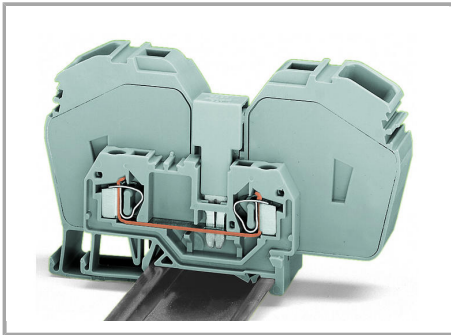
Assembly example: Commoning from 16 mm²/6 AWG to 4 mm²/12 AWG rail-mount terminal blocks via step-down jumper (283-414).



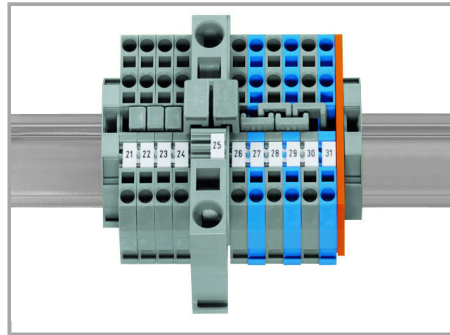
Commoning from 16 mm²/6 AWG (283 Series) to 4 mm²/12 AWG (281 Series) rail-mount terminal blocks via step-down jumpers.



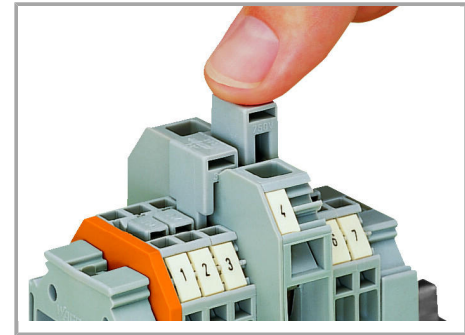
Assembly example: Commoning from 16 mm²/6 AWG to 4 mm²/12 AWG rail-mount terminal blocks via step-down jumper (283-414).



Commoning with step-down jumper (283-414) from 285 Series (35 mm²/2 AWG) to 281 Series terminal blocks (4 mm²/12 AWG).



Commoning from 16 mm²/6 AWG (283 Series) to 4 mm²/12 AWG (281 Series) rail-mount terminal blocks via step-down jumpers.



Commoning side-entry rail-mount terminal blocks via step-down jumpers.

Step down jumper down until fully inserted.

Změny vyhrazeny.

WAGO Elektro spol. sr. o.
Rozvodova 1116/36
143 00 Praha 12 - Modřany
Tel.: +420 261 090 143
Email: info.cz@wago.com, wago-cz@wago.com

Máte otázky ohledně našich produktů?
Kdykoli nám zavolejte na číslo +420 261 090 143.