

Kanlux

Kanlux BENO CCT

LED svítidla Kanlux BENO mají jedinečný design s výjimečným světelným efektem. Vyznačují se vysokou odolností vůči povětrnostním vlivům díky stupni krytí IP65 (pomocí kabelové průchodky), což umožňuje jejich instalaci v interiéru i exteriéru. Jejich životnost je 50 000 hodin a vysoká energetická účinnost třídy C zajišťuje energetickou účinnost.

Kanlux BENO LED je k dispozici ve dvou velikostech a čtyřech výkonových řadách a třech barevných teplotách (4000K, 3000K a 3500K), takže jej lze přizpůsobit různým potřebám. Svítidlo z polykarbonátu (PC) se vyznačuje jednoduchou rychlou instalací na strop nebo stěnu a verze s pohybovým senzorem (BENO LED -SE) umožňuje nastavení provozního rozsahu. Kanlux BENO LED se díky svému jedinečnému designu a multifunkčnosti bude hodit jako dekorace do každého interiéru. Na výrobek se vztahuje záruka 5 let.

- 5 let záruky shodně s podmínkami záručního prohlášení dostupného na internetové stránce



CCT



IP 65

| | | | | | | |
|------------|-----|----------|--------|-------|---------------------|--------|
| 220-240 AC | 50 | 110 | ≥30000 | 50000 | ellipse ≤6x MacAdam | Ra 80 |
| | SMD | | | IP 65 | | -15÷35 |
| | | 0,75÷1,5 | 0,5m | | | |
| | | | | | | |





BENO 12-18W CCT-L G



| | | | | | | |
|-----------------------|--------------|---------|------------------------|----------------|--------|------------|
| BENO 12-18W CCT-L G | 38787 | 12 / 18 | max 1630 / 1770 / 1750 | 3000/3500/4000 | grafit | |
| BENO 12-18W CCT-L W | 38776 | 12 / 18 | max 1840 / 2000 / 1980 | 3000/3500/4000 | bílá | |
| BENO 12-18W CCT-L-SEG | 38788 | 12 / 18 | max 1630 / 1770 / 1750 | 3000/3500/4000 | grafit | mikrovlnný |
| BENO 12-18W CCT-L-SEW | 38775 | 12 / 18 | max 1840 / 2000 / 1980 | 3000/3500/4000 | bílá | mikrovlnný |
| BENO 12-18W CCT-O G | 38789 | 12 / 18 | max 1610 / 1740 / 1740 | 3000/3500/4000 | grafit | |
| BENO 12-18W CCT-O W | 38778 | 12 / 18 | max 1920 / 2080 / 2060 | 3000/3500/4000 | bílá | |
| BENO 12-18W CCT-O-SEG | 38790 | 12 / 18 | max 1610 / 1740 / 1740 | 3000/3500/4000 | grafit | mikrovlnný |
| BENO 12-18W CCT-O-SEW | 38777 | 12 / 18 | max 1920 / 2080 / 2060 | 3000/3500/4000 | bílá | mikrovlnný |
| BENO 24-30W CCT-L G | 38779 | 24 / 30 | max 2690 / 2940 / 2880 | 3000/3500/4000 | grafit | |
| BENO 24-30W CCT-L W | 38782 | 24 / 30 | max 3180 / 3490 / 3410 | 3000/3500/4000 | bílá | |
| BENO 24-30W CCT-L-SEG | 38780 | 24 / 30 | max 2690 / 2940 / 2880 | 3000/3500/4000 | grafit | mikrovlnný |
| BENO 24-30W CCT-L-SEW | 38781 | 24 / 30 | max 3180 / 3490 / 3410 | 3000/3500/4000 | bílá | mikrovlnný |
| BENO 24-30W CCT-O G | 38783 | 24 / 30 | max 2850 / 3120 / 3050 | 3000/3500/4000 | grafit | |
| BENO 24-30W CCT-O W | 38786 | 24 / 30 | max 3230 / 3530 / 3460 | 3000/3500/4000 | bílá | |
| BENO 24-30W CCT-O-SEG | 38784 | 24 / 30 | max 2850 / 3120 / 3050 | 3000/3500/4000 | grafit | mikrovlnný |
| BENO 24-30W CCT-O-SEW | 38785 | 24 / 30 | max 3230 / 3530 / 3460 | 3000/3500/4000 | bílá | mikrovlnný |



BENO 12-18W CCT-L G



BENO 12-18W CCT-L W



BENO 12-18W CCT-L-SEG



BENO 12-18W CCT-L-SEW



BENO 12-18W CCT-O G



BENO 12-18W CCT-O W



BENO 12-18W CCT-O-SEG



BENO 12-18W CCT-O-SEW



BENO 24-30W CCT-L G



BENO 24-30W CCT-L W



BENO 24-30W CCT-L-SEG



BENO 24-30W CCT-L-SEW



BENO 24-30W CCT-O G



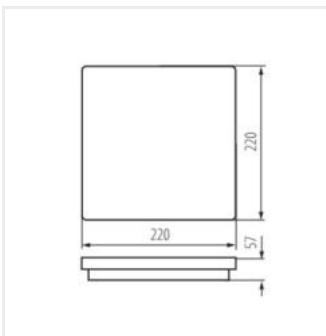
BENO 24-30W CCT-O W



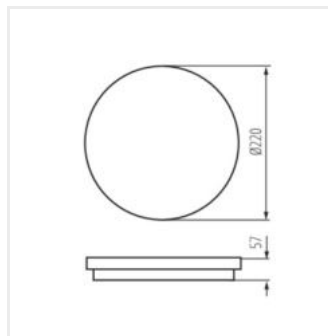
BENO 24-30W CCT-O-SEG



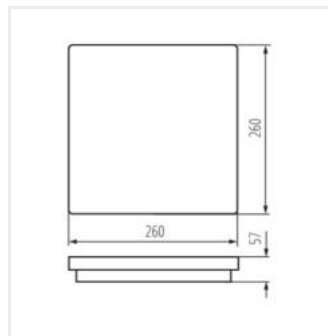
BENO 24-30W CCT-O-SEW



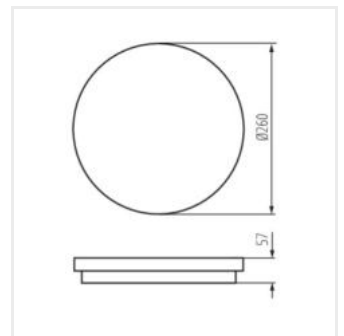
BENO 12-18W CCT-L



BENO 12-18W CCT-O



BENO 24-30W CCT-L



BENO 24-30W CCT-O

BENO 12-18W CCT-L G

| | | | |
|-------|--------|-------|--------|
| 12W | | 18W | |
| 3000K | 1100lm | 3000K | 1630lm |
| 3500K | 1180lm | 3500K | 1770lm |
| 4000K | 1190lm | 4000K | 1750lm |

BENO 12-18W CCT-O G

| | | | |
|-------|--------|-------|--------|
| 12W | | 18W | |
| 3000K | 1070lm | 3000K | 1610lm |
| 3500K | 1150lm | 3500K | 1740lm |
| 4000K | 1170lm | 4000K | 1740lm |

BENO 24-30W CCT-L G

| | | | |
|-------|--------|-------|--------|
| 24W | | 30W | |
| 3000K | 2190lm | 3000K | 2690lm |
| 3500K | 2380lm | 3500K | 2940lm |
| 4000K | 2350lm | 4000K | 2880lm |

BENO 24-30W CCT-O G

| | | | |
|-------|--------|-------|--------|
| 24W | | 30W | |
| 3000K | 2330lm | 3000K | 2850lm |
| 3500K | 2530lm | 3500K | 3120lm |
| 4000K | 2500lm | 4000K | 3050lm |

BENO 12-18W CCT-L W

| | | | |
|-------|--------|-------|--------|
| 12W | | 18W | |
| 3000K | 1230lm | 3000K | 1840lm |
| 3500K | 1310lm | 3500K | 2000lm |
| 4000K | 1320lm | 4000K | 1980lm |

BENO 12-18W CCT-O W

| | | | |
|-------|--------|-------|--------|
| 12W | | 18W | |
| 3000K | 1300lm | 3000K | 1920lm |
| 3500K | 1400lm | 3500K | 2080lm |
| 4000K | 1400lm | 4000K | 2060lm |

BENO 24-30W CCT-L W

| | | | |
|-------|--------|-------|--------|
| 24W | | 30W | |
| 3000K | 2610lm | 3000K | 3180lm |
| 3500K | 2820lm | 3500K | 3490lm |
| 4000K | 2790lm | 4000K | 3410lm |

BENO 24-30W CCT-O W

| | | | |
|-------|--------|-------|--------|
| 24W | | 30W | |
| 3000K | 2650lm | 3000K | 3230lm |
| 3500K | 2860lm | 3500K | 3530lm |
| 4000K | 2820lm | 4000K | 3460lm |

BENO 12-18W CCT-L-SEG

| | | | |
|-------|--------|-------|--------|
| 12W | | 18W | |
| 3000K | 1100lm | 3000K | 1630lm |
| 3500K | 1180lm | 3500K | 1770lm |
| 4000K | 1190lm | 4000K | 1750lm |

BENO 12-18W CCT-O-SEG

| | | | |
|-------|--------|-------|--------|
| 12W | | 18W | |
| 3000K | 1070lm | 3000K | 1610lm |
| 3500K | 1150lm | 3500K | 1740lm |
| 4000K | 1170lm | 4000K | 1740lm |

BENO 24-30W CCT-L-SEG

| | | | |
|-------|--------|-------|--------|
| 24W | | 30W | |
| 3000K | 2190lm | 3000K | 2690lm |
| 3500K | 2380lm | 3500K | 2940lm |
| 4000K | 2350lm | 4000K | 2880lm |

BENO 24-30W CCT-O-SEG

| | | | |
|-------|--------|-------|--------|
| 24W | | 30W | |
| 3000K | 2330lm | 3000K | 2850lm |
| 3500K | 2530lm | 3500K | 3120lm |
| 4000K | 2500lm | 4000K | 3050lm |

BENO 12-18W CCT-L-SEW

| | | | |
|-------|--------|-------|--------|
| 12W | | 18W | |
| 3000K | 1230lm | 3000K | 1840lm |
| 3500K | 1310lm | 3500K | 2000lm |
| 4000K | 1320lm | 4000K | 1980lm |

BENO 12-18W CCT-O-SEW

| | | | |
|-------|--------|-------|--------|
| 12W | | 18W | |
| 3000K | 1300lm | 3000K | 1920lm |
| 3500K | 1400lm | 3500K | 2080lm |
| 4000K | 1400lm | 4000K | 2060lm |

BENO 24-30W CCT-L-SEW

| | | | |
|-------|--------|-------|--------|
| 24W | | 30W | |
| 3000K | 2610lm | 3000K | 3180lm |
| 3500K | 2820lm | 3500K | 3490lm |
| 4000K | 2790lm | 4000K | 3410lm |

BENO 24-30W CCT-O-SEW

| | | | |
|-------|--------|-------|--------|
| 24W | | 30W | |
| 3000K | 2650lm | 3000K | 3230lm |
| 3500K | 2860lm | 3500K | 3530lm |
| 4000K | 2820lm | 4000K | 3460lm |

Dokument vytvořen: 09.03.2025, 10:57

Změna technický parametrů vyhrazena. Informace uvedené v tomto dokumentu nejsou právně závazné.

Fotometrie: výsledky získané během testování konkrétního exempláře.

Kanlux S.A. ul. Objazdowa 1-3, 41-922 Radzionków, Poland kanlux@kanlux.com

