

SAFETY PRECAUTIONS

1. The device must be installed by a qualified person,
2. Disconnect all power before working on the device. Don't touch any terminal when the power is ON.
3. Verify correct terminal connection when wiring.
4. Don't dismantle or repair the device whether it operates normally, otherwise no responsibility is assumed by producer and seller.
5. Never use the device at the site which can be invaded by corrode gas, strong sunshine light and rain.
6. Clean the device with a dry cloth.
7. Fail to follow these instructions will result in serious injury or death.

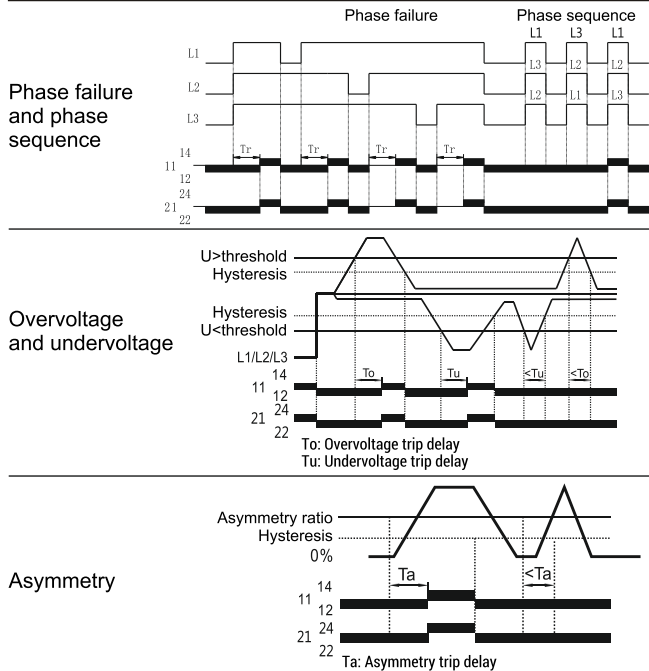
FEATURES

- Microcontroller based.
- True RMS measurement
- Select 3phase 3wire or 3phase 4wire mode by a knob.
- N phase failure protection for 3phase 4 wire
- 1NO+1NC output-8A
- LED indication for supply and output state
- 1 module Din-rail mounting

TECHNICAL DATA

Model	U>	U<	Phase failure	Phase sequence	Asymmetry	Operating voltage adjustable
RS-MV37M	●	●	●	●	●	●
Modes			3phase 3wire		3phase 4wire	
Supply terminals			L1,L2,L3		L1,L2,L3,N	
Supply voltage			380V/400V/415V		220V/230V/240V	
Operating voltage range			266V-540V		154V-312V	
U> setting value	(105%-125%)xUn					
U< setting value	(75%-95%)xUn					
Asymmetry setting	adjustable: 5%~20%; fixed: 8%					
U> trip delay	adjustable: 0.1~10s; fixed: 2s					
U< trip delay	adjustable: 0.1~10s; fixed: 2s					
Asymmetry trip delay	adjustable: 0.1~10s; fixed: 2s					
Hysteresis	2% fixed					
Trip time for incorrect phase sequence and phase failure	<0.5s					
Delay error	±10%+0.1s					
Knob setting error	1% x scale value					
Rated insulation voltage	415V					
Output contacts	1NO+1NC					
Current rating	8A/250V AC1					
Mechanical life	10 ⁶					
Electrical life	10 ⁵					
Protection degree	IP20					
Pollution degree	3					
Altitude	≤2000 m					
Operating temperature	-20°C~55°C					
Permissible relative humidity	≤50% przy 40°C (without condensation)					
Storage temperature	-30°C~70°C					
Wire size/Torque	0.5mm ² ~2.5mm ² /0.5Nm					
Mounting	TH-35 Rail (EN60715)					

FUNCTION DIAGRAMS

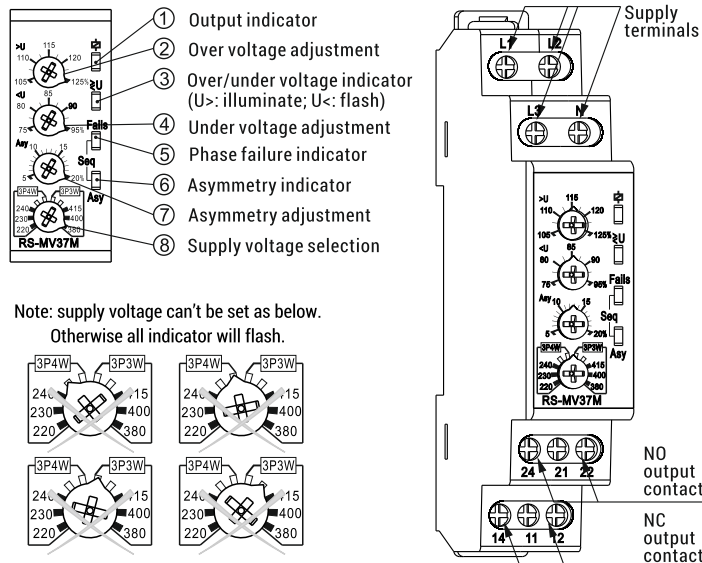


RS-MV37M

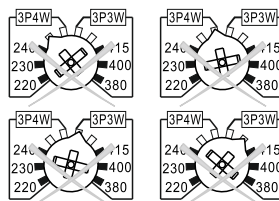
Voltage monitoring relay

Please read complete instructions prior to installation and operation of the device.

APPEARANCE



Note: supply voltage can't be set as below. Otherwise all indicator will flash.



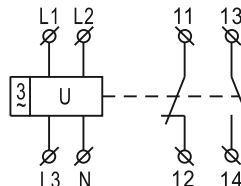
INSTALLATION

1. Select operating voltage by the knob. If change the operation voltage after energisation, all indicator flash, the setting doesn't work. It need to be set after disconnection.
2. If faults detected after relay energised, the output relay stays open
3. In the event of a voltage fault, the relay opens at the end of the delay set
4. Measured voltage value = 0.5* Ue, phase failure protective function activated
5. The indicator will not indicate after power supply disconnected.

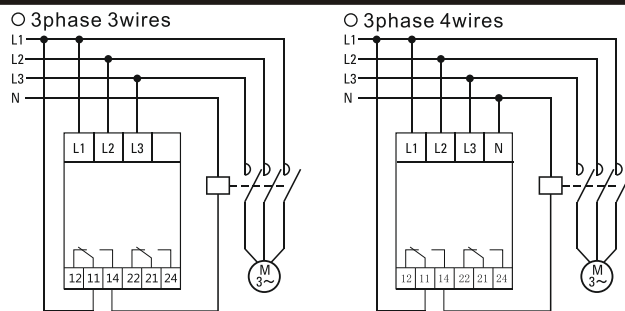
$$Asy = \frac{U_{max} - U_{min}}{U_n}$$

U_{max}: Max. phase voltage;
U_{min}: Min phase voltage

ELECTRIC SYMBOL



WIRING DIAGRAMS



DIMENSIONS

