

Motion detector, 230 V, 8 m, 180°, wall detector, for flush-mounting box, blue grey coated

220-78010

4 year warranty

With this integrated indoor motion detector with a 10 A, 230 V switching contact, you have a viewing angle of 180° (horizontal) and 60° (vertical) within which all movement is detected. When a motion is detected, pre-selected lights are activated.

Finishing colour: blue grey coated

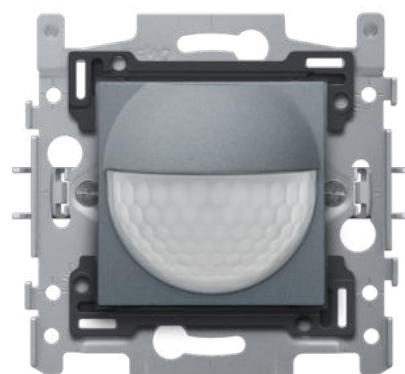
Compatible secondary detectors: XXX-78010

This article is protected by at least one patent (application). For more info on patents, see www.niko.eu/innovation.

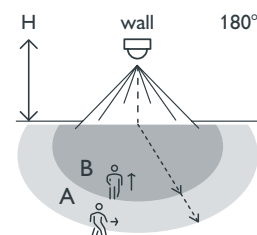
- Sustainable
- Compact
- Simple installation
- Discreet
- The motion detector can be used as a master or secondary detector.

Motion detector for residential use for small rooms, toilets, storerooms, cellars, etc.

- The lighting remains on while motion is detected.
- The built-in time switch allows you to set the desired switch-off delay. The lighting will remain on throughout the disconnection time after the last movement has been detected.
- The lighting can stay on for four hours if you press the button located above the sensor. You can also connect a push button or external switch on this motion detector if you need to be able to control the lighting circuit manually.
- Can be integrated into all Niko central plates.



Detection range



| H | A Across | B Towards |
|-------|-------------|--------------|
| 0.8 m | 7 m | 2.4 m |
| 1 m | 8 m | 3 m |
| 1.2 m | 9 m | 4 m |



230 V



master/
secondary



8 m from
a height of
1 m



0.8 - 1.2 m



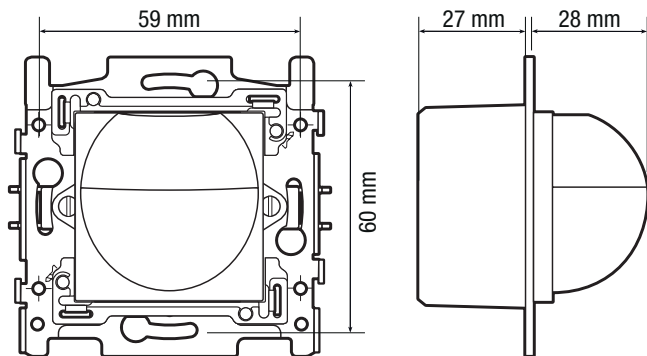
flush-
mounting
box

niko

Technical data

| | |
|--|--|
| Article number | 220-78010 |
| Input voltage | 230 Vac \pm 10 %, 50 Hz |
| Detector output | 230 V (ON/OFF) |
| Maximum MCB rating | 10 A (limited by national installation rules) |
| Maximum load incandescent and halogen lamps ($\cos\phi = 1$) | 2300 W |
| Maximum load fluorescent lamps ($\cos\phi \geq 0.5$) | 1380 VA |
| Maximum load LED lamps 230 V | 230 W |
| Light intensity range | 10 lux – 1000 lux |
| Ambient temperature | -5 – +45 °C |
| Switch-off delay | 1 min – 30 min |
| Detection range (PIR) | 8 m from a height of 1 m |
| Ambient temperature | -5 – +45 °C |
| Mounting method | flush-mounting box |
| Mounting height | 0.8 – 1.2 m |
| Minimum flush-mounting depth | 40 mm |
| Colour | enamelled blue grey (approximately NCS S 8005 - R80B, RAL 240 30 05) |
| Dimensions (HxWxD) | 71 x 73 mm |
| Wire capacity | 1 x 2.5 mm ² |
| Protection degree | IP20 |
| Protection degree | IP40 for the combination of a mechanism and faceplate |
| Marking | CE |

Dimensions



Wiring diagram

