

Advantages of fuse-switch disconnecter PCF

→ 1-pole + N in one module



→ Double connection clamps



→ New method of mounting on the DIN rail and simple replacement



→ LED indicator version



→ Sealing possibility



→ Extraction of entire fuse-link when changing



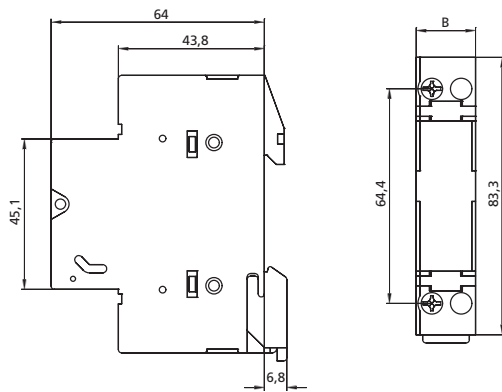
→ Chamber for spare fuse-link

Fuse-switch disconnectors for cylindrical fuse-links PCF

Technical data PCF				
	PCF 8	PCF 10		PCF CC
Fuse type	CH 8x32	CH 10x38		Class CC
	IEC	IEC	UL	UL
Versions	Without indicator / LED indicator			
Number of poles	1p, 1p+N, 2p, 3p, 3p+N		1p, 2p, 3p	
Rated operational voltage U _e	400V a.c.	690V a.c.	600V a.c./d.c.	600V a.c./d.c.
Rated operational current I _e	20A	32A	30A	30A
Maximum rated current of fuselinks	690V	10A gG		
	500V	25A gG, 16A aM		
	400V	20A gG, 10A aM	32A gG	
Rated frequency	50Hz	50Hz	60Hz	60Hz
Rated short-time withstand current I _{cw}	240A	300A		
Rated conditional short-circuit current	50kA	100kA	200kA	200kA
Rated insulation voltage U _i	400V	690V		
Rated imp. withstand voltage U _{imp}	4kV	4kV		
Overvoltage category	III	III		
Max power dissipation of the fuse-link (W)	gG: 2,5W / aM: 0,9W		gG: 3W / aM: 1,2W	
LED indicator operating range	50V-690V a.c.		50V-600V a.c., 80V-600V d.c.	
Utilization category	AC-22B	AC-22B	Do not operate under load	
Operational performance (cycles with current)	300	300		
Operational performance (cycles without current)	1700	1700		
Humidity	90% at 20°C			
Operating ambient temperature	-5°C ... +40°C			
Store ambient temperature	-25°C ... +55°C			
Degree of protection (IEC 60529)	IP 20	IP 20		
Terminal capacity	0,5-10mm ² , Double connection		20-10 stranded, Cu only	20-10 solid&stranded, Cu only
Screw	PZ M4	PZ M4	PZ M4	PZ M4
Torque	1,2Nm	1,2Nm	1,2Nm	1,2Nm
Mounting on EN 60715 rail	35mm rail			
Sealing possibility	ON and OFF			
Standards - fuse links	IEC/EN 60269-2			UL 248-4, IEC/EN 60269-2
Standards - Fuse-switch disconnectors/fuse holders	IEC 60947-1, IEC 60947-3		UL 4248-1	UL 4248-1, UL 4248-4
Test reports	Int.	CCA/CB	UL	Int
Certificates			UR _{CS}	

Technical data

Technical data PCF				
	PCF 8	PCF 10		PCF CC
Fuse type	CH 8x32	CH 10x38		Class CC
	IEC	IEC	UL	UL
Derating factor of current I_n for different ambient temperatures	20°	1		
	30°	0,95		
	40°	0,9		
	50°	0,8		
	60°	0,7		
	70°	0,5		
Derating factor of current I_n for side by side mounting fuse holders (nr. of poles)	1-4	1		
	5-6	0,8		
	7-9	0,7		
	≥10	0,6		



Fuse-switch disconnecter PCF 8, PCF 10, PCF CC

type	dimension
	B
PCF 8, 10, CC 1p	17,8
PCF 8, 10 1p+N	17,8
PCF 8, 10, CC 2p	35,6
PCF 8, 10, CC 3p	53,4
PCF 8, 10 3p+N	53,4

Auxiliary switch PS PCF

