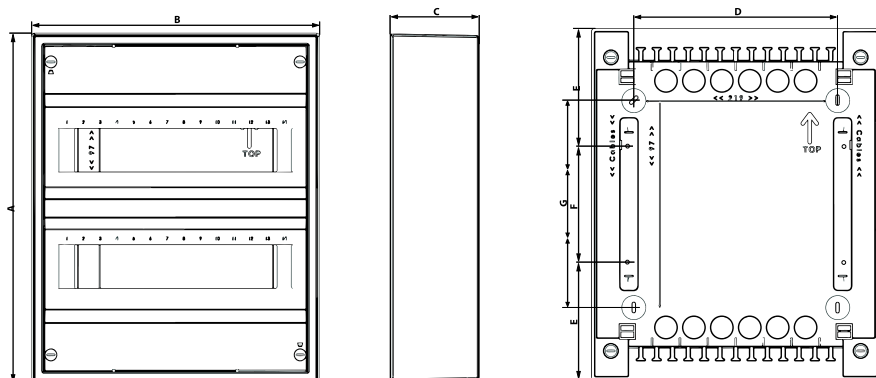
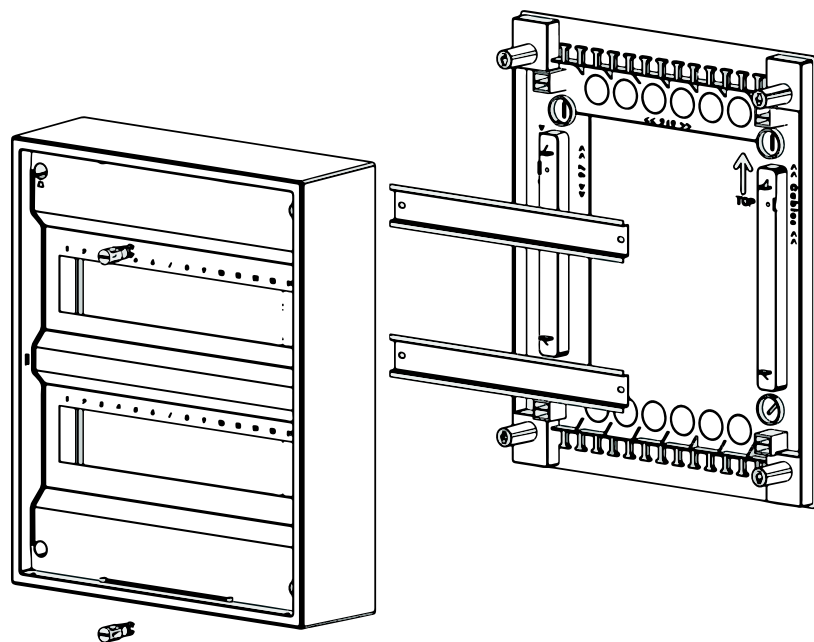


GP



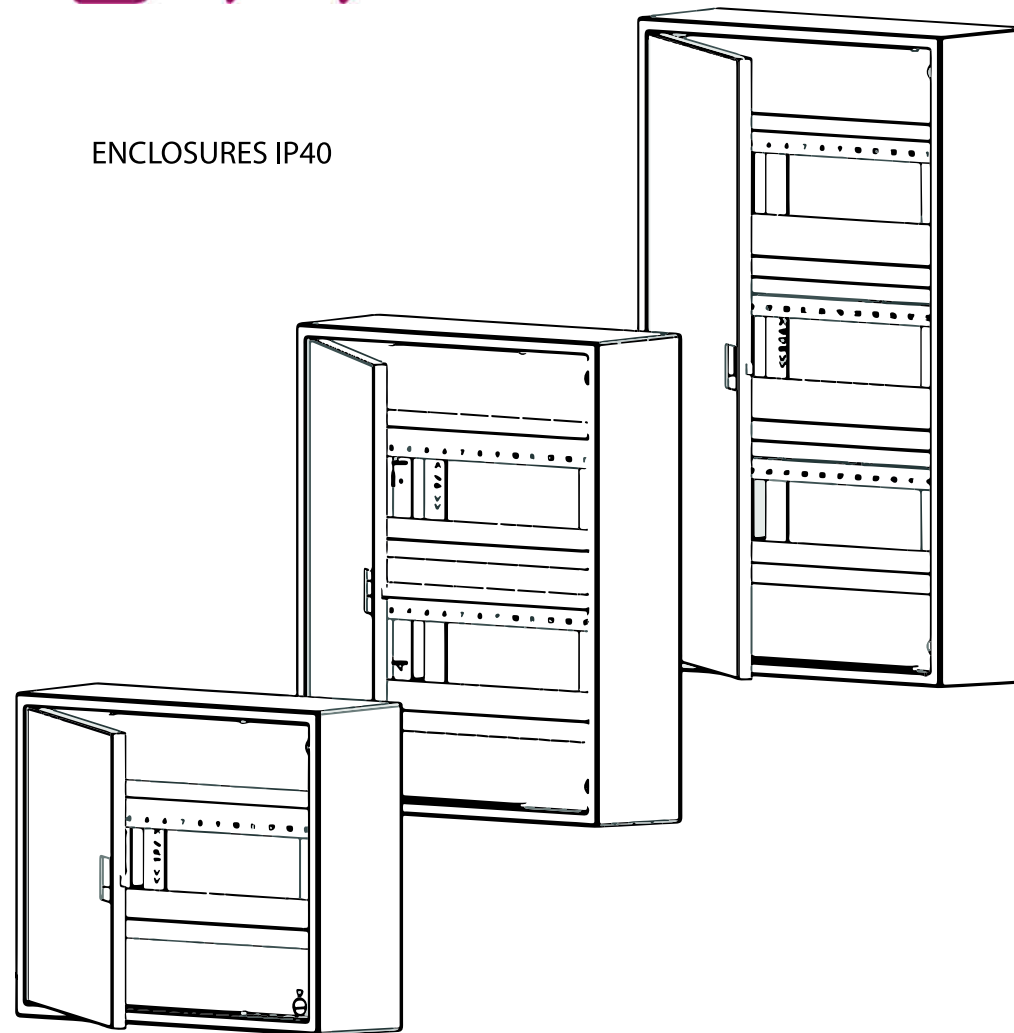
	A	B	C	D	E	F	G	Pde
ACTH12PT	251 mm	312 mm	97 mm	125 mm	126 mm	125 mm	126 mm	30W
ACTH24PT	376 mm	312 mm	97 mm	223 mm	126 mm	125 mm	126 mm	40W
ACTH36PT	501 mm	312 mm	97 mm	125 mm	126 mm	125 mm	126 mm	50W



Temperature range: -25°C....+60°C, Rating voltage AC400V, According to: IEC60670, IK07

ETI

ENCLOSURES IP40



ETI Elektroelement d.d.
Obrezija 5
1411 Izlake
Slovenia

ETI Polam Sp.z.o.o.
ul. Jana Pawła II 18
06-100 Pułusk
Polska

