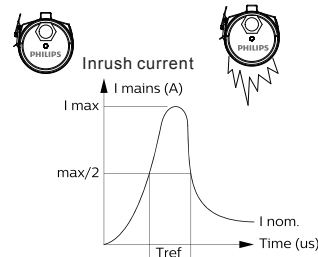


- Do not look directly at led light for a long time to avoid physical discomfort.
- The luminaire shall be installed by a qualified electrician and wired in accordance with the latest IEE electrical regulations or the national requirements.
- The light source contained in this luminaire shall only be replaced by the manufacturer or his service agent or a similar qualified person.
- Above average concentration of sulfur affects the useful lifetime of the product. E.g: Light color changes from white to yellow.
- For use in environments where an accumulation of conductive dust on the luminaire may be expected.
- Do not install the luminaire under water.
- Do not install the luminaire in refrigeration house.
- Do not install the luminaire in ammonia environment, such as livestock applications.
- Do not install the luminaire in the environment where vibration exists.
- For outdoor operation at a building: only when all its cables run indoor, with a maximum distance of 10 meters.



	LED50S	LED70S
I _{peak} [A]	20	40
T _{ref} [μ s]	150	100
Max. Nr of products		
Drivers / MCB 16A type B [max.]	30	18
Drivers / MCB 10A type B [max.]	24	15
Drivers / MCB 16A type C [max.]	34	24
Drivers / MCB 10A type C [max.]	24	15



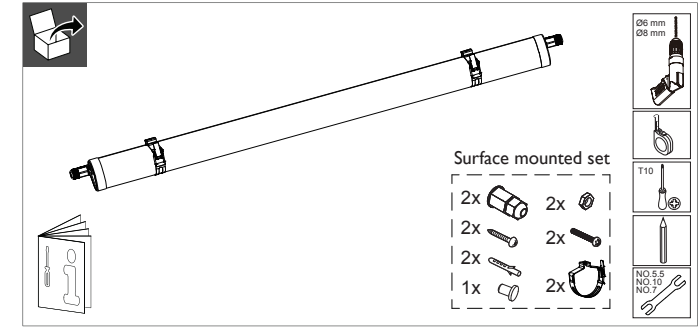
This marking indicates that this product should not be disposed with other household wastes throughout the EU. To prevent possible harm to the environment or human health from uncontrolled waste disposal, recycle it responsibly to promote the sustainable reuse of material resources. To return your used device, please use the return and collection systems or contact the retailer where the product was purchased. They can take this product for environmental safe recycling.



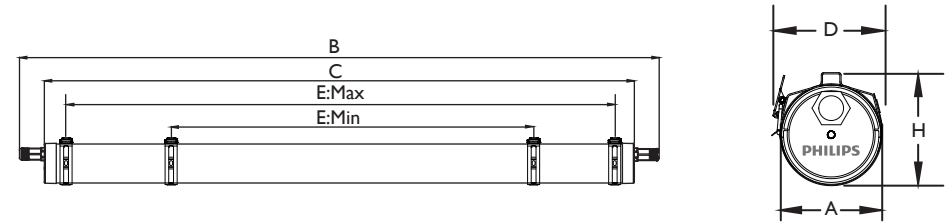
© 07/2022 Signify Holding.
All rights reserved. This document contains information relating to the product portfolio of Signify which information may be subject to change. No representation or warranty as to the accuracy or completeness of the information included herein is given and any liability for any action in reliance thereon is disclaimed. The information presented in this document is not intended as any commercial offer and does not form part of any quotation or contract. Philips and the Philips Shield Emblem are registered trademarks of Koninklijke Philips N.V.. All other trademarks are owned by Signify Holding or their respective owners.

Signify Holding.
The Netherlands

PHILIPS
CoreLine Tubular
Waterproof
WT210C



CE	220V 240V	50Hz 60Hz	IP68	IK10	GLOW WIRE 850 °C	UK CA	System light output (lm)	Colour temperature (K)	Power (W)	Energy efficiency class of light source	kg	
							WT210C LED50S/840 PSU TW1 PC LI200	5000	4000	39	D	1.5
							WT210C LED70S/840 PSU TW1 PC LI500	7000	4000	54	D	1.8



Luminaire type	Dimensions (mm)						
	A	B	C	D	H	E:Min	E:Max
WT210C LED50S/840 PSU TW1 PC LI200	∅82.5	1315	1211	88	91	700	950
WT210C LED70S/840 PSU TW1 PC LI500		1615	1511	88	91	1000	1250

Order separate accessories

Suspension mounting set (Indoor)	Suspension mounting set (Indoor/Outdoor)
I2NC/Description: 911401867784 WT210Z SW2 EOC short: 95610099	I2NC/Description: 911401867884 WT210Z SC EOC short: 95611799
2x [Bracket] 2x [Screw] 2x [Screw]	 2x [Bracket]

Printed in China
Data subject to change without notice
Keep for future reference: www.philips.com/lighting

