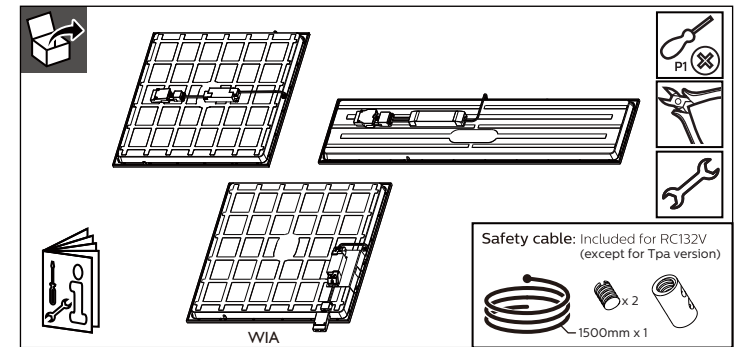
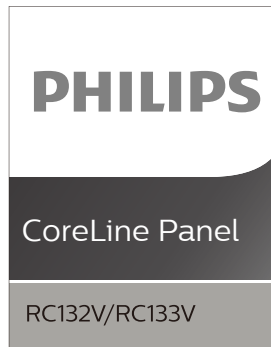



© 2022 Signify Holding.
 All rights reserved. This document contains information relating to the product portfolio of Signify which information may be subject to change. No representation or warranty as to the accuracy or completeness of the information included herein is given and any liability for any action in reliance thereon is disclaimed. The information presented in this document is not intended as any commercial offer and does not form part of any quotation or contract. Philips and the Philips Shield Emblem are registered trademarks of Koninklijke Philips N.V.. All other trademarks are owned by Signify Holding or their respective owners.

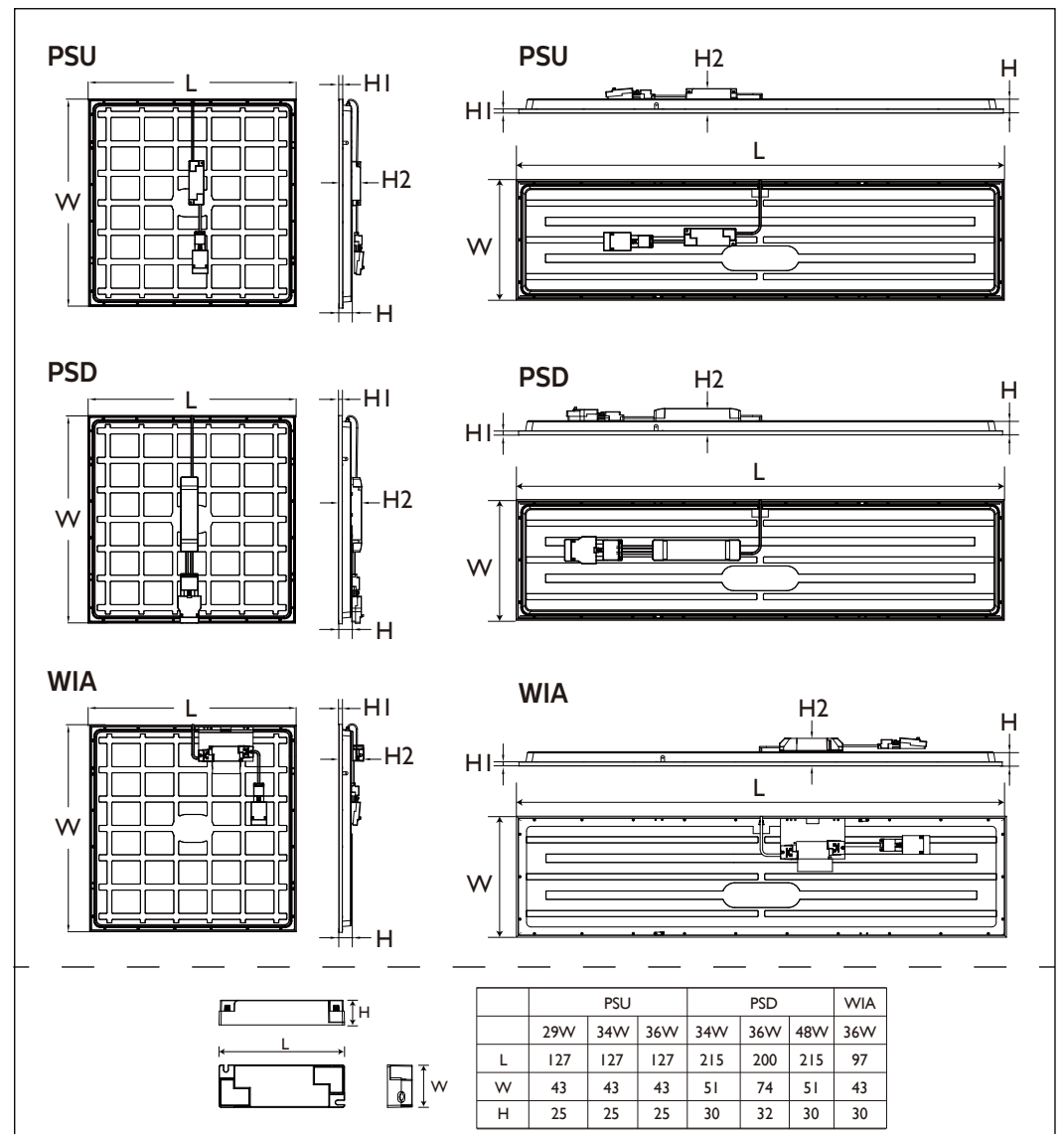
Signify Holding.
 The Netherlands



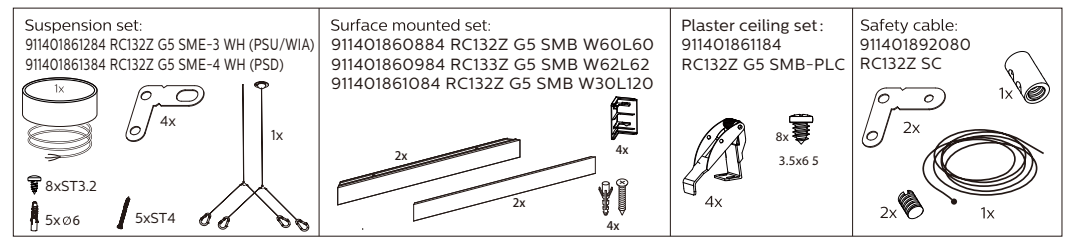
	Lumen(lm)	CCT(K)	P(W)	Energy efficiency class of light source	L×W×H(mm)	H1/H2(mm)	kg
RC132V G5 34S/830 PSU W60L60 NOC	3400	3000	28.5	D	595X595X36	10/62	1.90
RC132V G5 36S/840 PSU W60L60 NOC	3600	4000	28.5	D	595X595X36	10/62	1.90
RC132V G5 36S/840 PSU W30L120 NOC	3600	4000	28.5	D	1195X295X36	10/62	2.00
RC132V G5 34S/830 PSU W60L60 OC	3400	3000	28.5	D	595X595X37	11/63	2.20
RC132V G5 36S/840 PSU W60L60 OC	3600	4000	28.5	D	595X595X37	11/63	2.20
RC132V G5 36S/840 PSU W30L120 OC	3600	4000	28.5	D	1195X295X37	11/63	2.30
RC132V G5 34S/830 PSD W60L60 OC	3400	3000	28.5	D	595X595X37	11/68	2.20
RC132V G5 36S/840 PSD W60L60 OC	3600	4000	28.5	D	595X595X37	11/68	2.20
RC132V G5 48S/840 PSD W60L60 OC	4800	4000	40	D	595X595X37	11/68	2.20
RC132V G5 34S/830 PSD W30L120 OC	3400	3000	28.5	D	1195X295X37	11/68	2.30
RC132V G5 36S/840 PSD W30L120 OC	3600	4000	28.5	D	1195X295X37	11/68	2.30
RC132V G5 36S/940 PSU W60L60 NOC	3600	4000	34.5	E	595X595X36	10/62	1.90
RC132V G5 36S/940 PSU W60L60 OC	3600	4000	34.5	E	595X595X37	11/63	2.20
RC132V G5 36S/940 PSU W30L120 OC	3600	4000	34.5	E	1195X295X37	11/63	2.30
RC132V G5 36S/940 PSD W60L60 OC	3600	4000	34.5	E	595X595X37	11/68	2.20
RC132V G5 43S/940 PSD W60L60 OC	4300	4000	40	E	595X595X37	11/68	2.20
RC132V G5 36S/840 PSD W60L60 OC TP(a)	3600	4000	28.5	D	595X595X37	11/68	2.20
RC132V G5 34S/830 PSU W60L60 NOC W3	3400	3000	28.5	D	595X595X36	10/62	1.90
RC132V G5 36S/840 PSU W60L60 NOC W3	3600	4000	28.5	D	595X595X36	10/62	1.90
RC132V G5 36S/840 PSU W30L120 NOC W3	3600	4000	28.5	D	1195X295X36	10/62	2.00
RC132V G5 34S/830 PSU W60L60 OC W3	3400	3000	28.5	D	595X595X37	11/63	2.20
RC132V G5 36S/840 PSU W60L60 OC W3	3600	4000	28.5	D	595X595X37	11/63	2.20
RC132V G5 36S/840 PSU W30L120 OC W3	3600	4000	28.5	D	1195X295X37	11/63	2.30
RC132V G5 34S/830 PSD W60L60 OC W5	3400	3000	28.5	D	595X595X37	11/68	2.20
RC132V G5 36S/840 PSD W60L60 OC W5	3600	4000	28.5	D	595X595X37	11/68	2.20

	Lumen(lm)	CCT(K)	P(W)	Energy efficiency class of light source	L×W×H(mm)	H1/H2(mm)	
RC132V G5 40S/830 PSD W60L60 OC W5	4000	3000	34.5	D	595X595X37	11/68	2.20
RC132V G5 34S/830 PSD W30L120 OC W5	3400	3000	28.5	D	1195X295X37	11/68	2.30
RC132V G5 36S/840 PSD W30L120 OC W5	3600	4000	28.5	D	1195X295X37	11/68	2.30
RC132V G5 34S/830 WIA W60L60 NOC	3400	3000	28.5	D	595X595X36	10/70	2.00
RC132V G5 36S/840 WIA W60L60 NOC	3600	4000	28.5	D	595X595X36	10/70	2.00
RC132V G5 36S/840 WIA W30L120 NOC	3600	4000	28.5	D	295X1195X36	10/70	2.10
RC132V G5 34S/830 WIA W60L60 OC	3400	3000	28.5	D	595X595X37	11/71	2.30
RC132V G5 36S/840 WIA W60L60 OC	3600	4000	28.5	D	595X595X37	11/71	2.30
RC132V G5 43S/840 WIA W60L60 OC	4300	3000	34.5	D	595X595X37	11/71	2.30
RC132V G5 36S/840 WIA W30L120 OC	3600	4000	28.5	D	295X1195X37	11/71	2.40
RC132V G5 34S/830 WIA W60L60 NOC W3	3400	3000	28.5	D	595X595X36	10/70	2.00
RC132V G5 36S/840 WIA W60L60 NOC W3	3600	4000	28.5	D	595X595X36	10/70	2.00
RC132V G5 43S/840 WIA W60L60 NOC W3	4300	4000	34.5	D	595X595X36	10/70	2.00
RC132V G5 34S/830 WIA W60L60 OC W3	3400	3000	28.5	D	595X595X37	11/71	2.30
RC132V G5 36S/840 WIA W60L60 OC W3	3600	4000	28.5	D	595X595X37	11/71	2.30
RC132V G5 43S/840 WIA W60L60 OC W3	4300	4000	34.5	D	595X595X37	11/71	2.30
RC132V G5 36S/840 WIA W30L120 OC W3	3600	4000	28.5	D	295X1195X37	11/71	2.40
RC132V G5 36S/840 WIA W60L60 OC TP(a)	3600	4000	28.5	D	595X595X37	11/71	2.30
RC132V G5 29_34_40S/830 PSU W60L60 OC	2900/3400/4000	3000	24.5/28.5*/34.5	D	595X595X37	11/63	2.20
RC132V G5 31_36_43S/840 PSU W60L60 OC	3100/3600*/4300	4000	24.5/28.5*/34.5	D	595X595X37	11/63	2.20
RC132V G5 31_36_43S/840 PSD W60L60 NOC	3100/3600*/4300	4000	24.5/28.5*/34.5	D	595X595X36	10/62	2.20
RC132V G5 29_34_40S/830 PSD W60L60 OC	2900/3400*/4000	3000	24.5/28.5*/34.5	D	595X595X37	11/68	2.20
RC132V G5 31_36_43S/840 PSD W60L60 OC	3100/3600*/4300	4000	24.5/28.5*/34.5	D	595X595X37	11/68	2.20
RC132V G5 31_36_43S/940 PSD W30L120 OC	3100/3600*/4300	4000	28.5/34.5*/40	E	295X1195X37	11/68	2.30
RC133V G5 34S/830 PSU W62L62 NOC	3400	3000	28.5	D	595X595X37	10/62	2.20
RC133V G5 36S/840 PSU W62L62 NOC	3600	4000	28.5	D	595X595X37	10/62	2.20
RC133V G5 36S/840 PSU W62L62 OC	3600	4000	28.5	D	595X595X36	11/63	2.20
RC133V G5 36S/840 PSD W62L62 OC	3600	4000	28.5	D	595X595X37	11/68	2.20
RC133V G5 34S/830 WIA W62L62 OC	3400	3000	28.5	D	595X595X37	11/71	2.20
RC133V G5 36S/840 WIA W62L62 OC	3600	4000	28.5	D	295X1195X37	11/71	2.30
RC133V G5 29_34_40S/830 PSU W62L62 OC	2900/3400/4000*	3000	24.5/28.5/34.5*	D	620X620X37	11/63	2.30
RC133V G5 31_36_43S/840 PSU W62L62 OC	3100/3600/4300*	4000	24.5/28.5/34.5*	D	620X620X37	11/63	2.30
RC133V G5 31_36_43S/865 PSU W62L62 OC	3100/3600/4300*	6500	24.5/28.5/34.5*	D	620X620X37	11/63	2.30
RC133V G5 29_34_40S/830 PSD W62L62 OC	2900/3400/4000*	3000	24.5/28.5/34.5*	D	620X620X37	11/68	2.30
RC133V G5 31_36_43S/840 PSD W62L62 OC	3100/3600/4300*	4000	24.5/28.5/34.5*	D	620X620X37	11/68	2.30

* Default setting

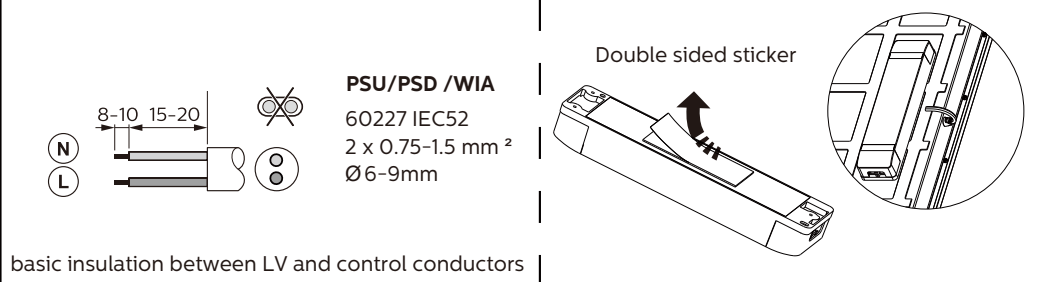
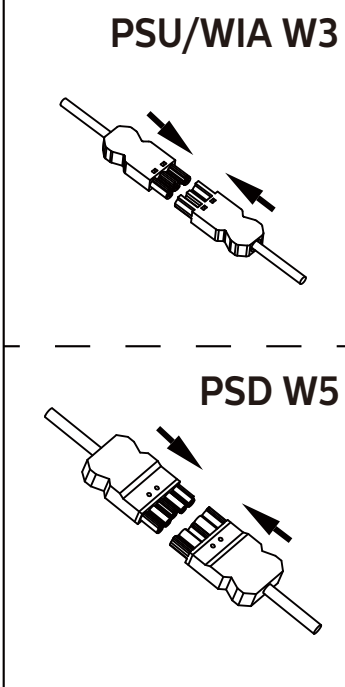
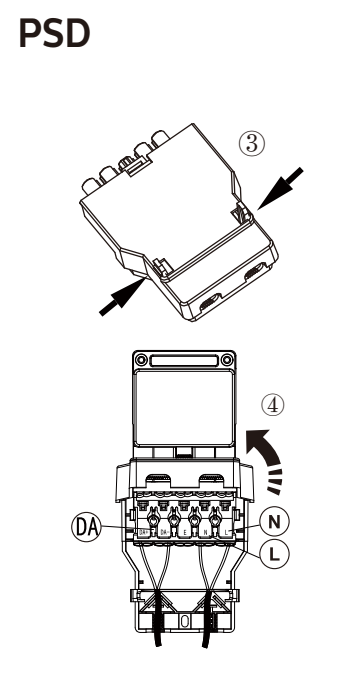
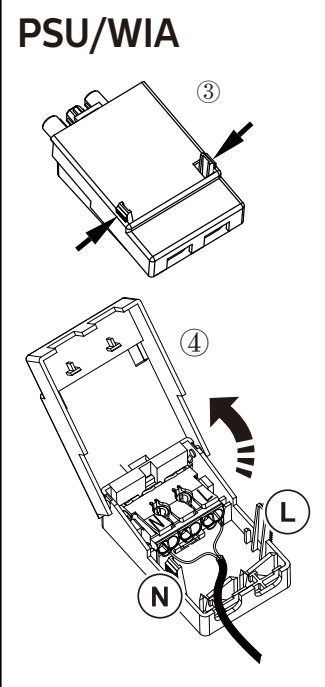
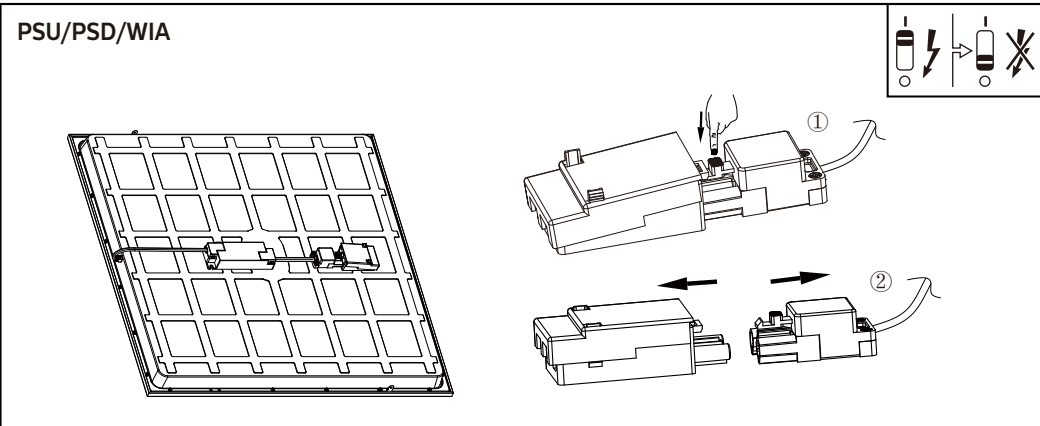


Available as accessory (Need to purchase separately)

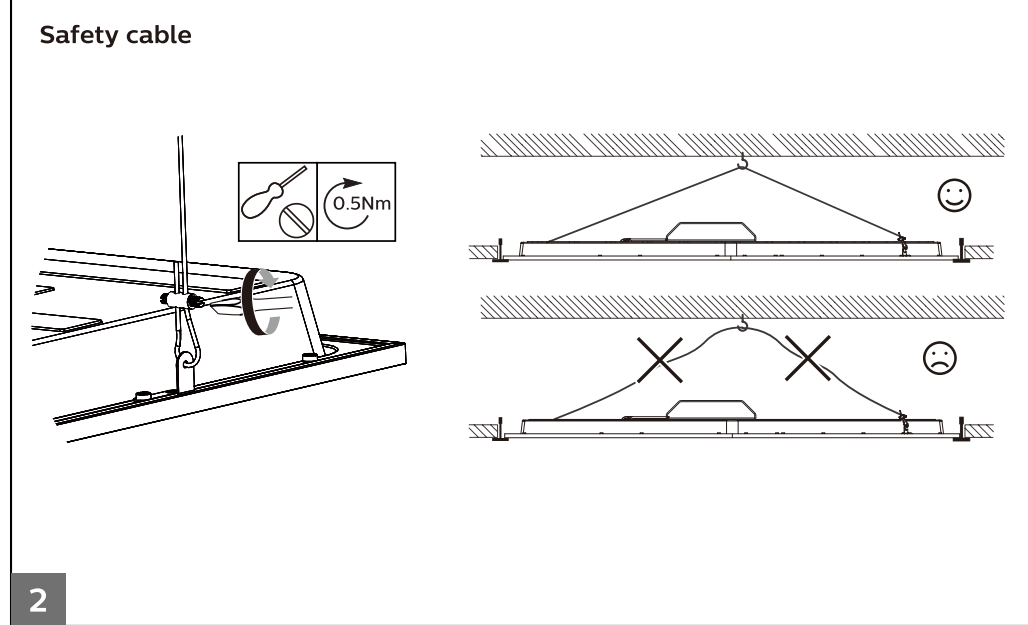
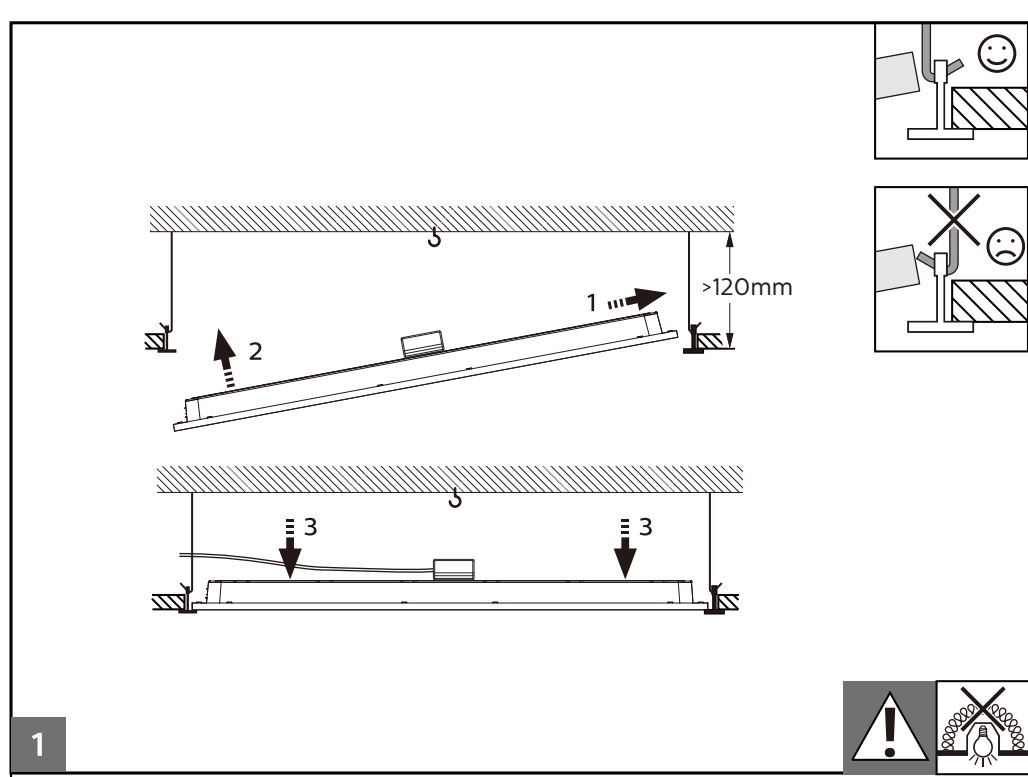




Quick-connectors



VPC Visible Profile Ceiling/ Lay-In mounting





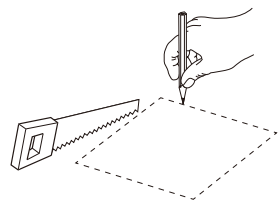
PCV plaster ceiling version (IK02)

Optional with
911401861184 RC132Z G5 SMB-PLC

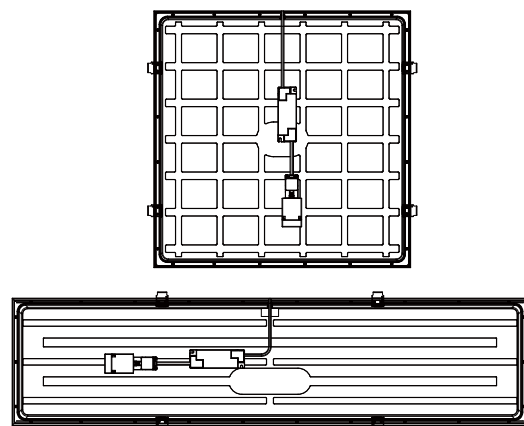
Install safety cable
(Optional)



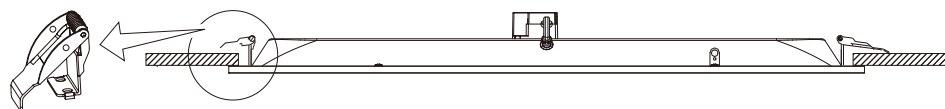
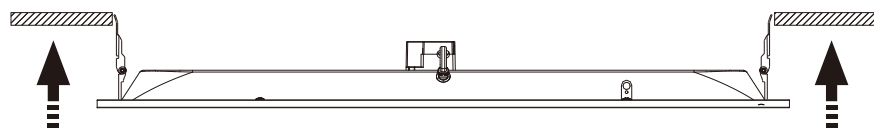
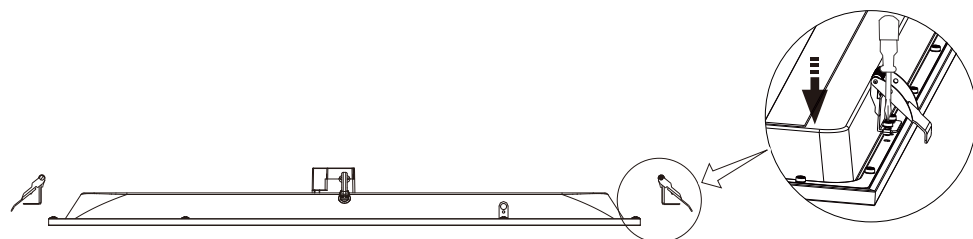
	A (mm)	B (mm)
W60L60	580	580
W62L62	580	580
W30L120	1180	280



8 - 16mm



1

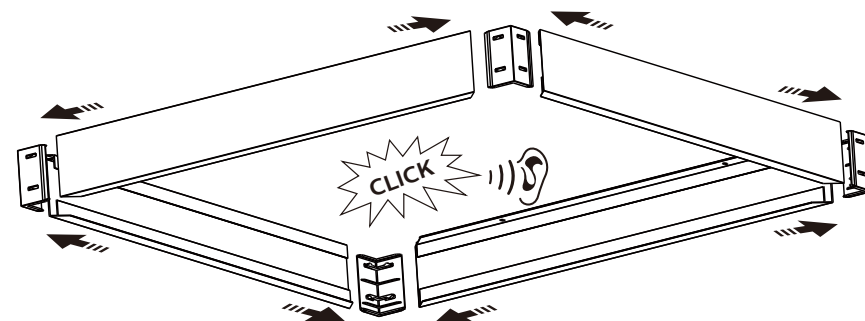


2

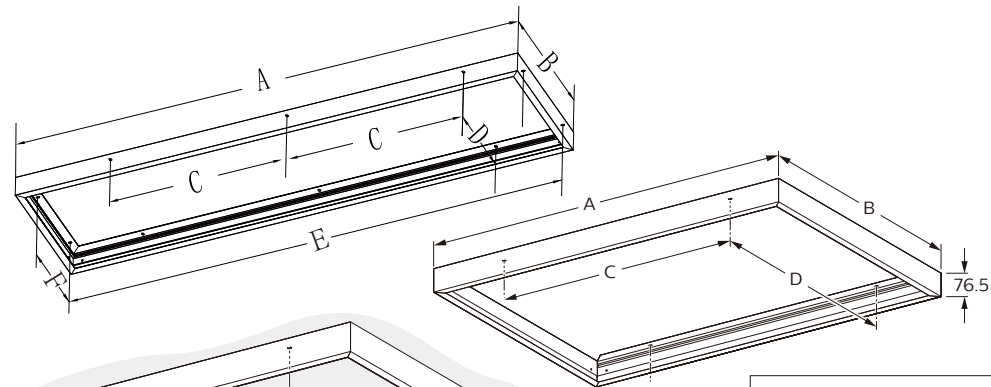
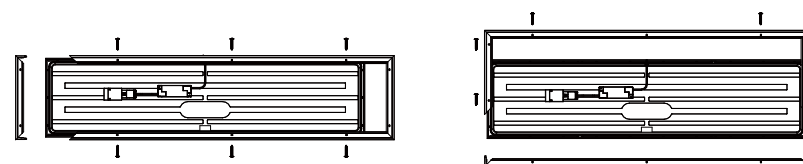


Surface mounted

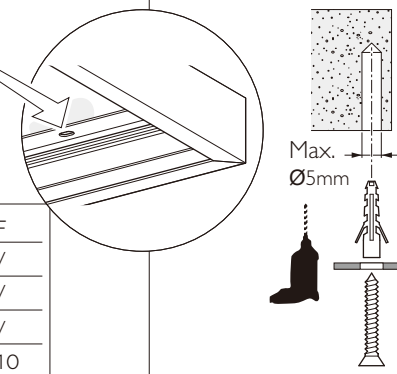
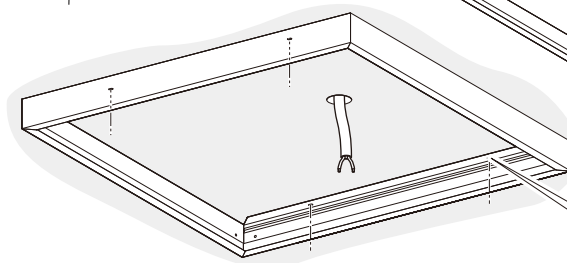
Optional with
911401860884 RC132Z G5 SMB W60L60
911401860984 RC133Z G5 SMB W62L62/911401861084 RC132Z G5 SMB W30L120



1

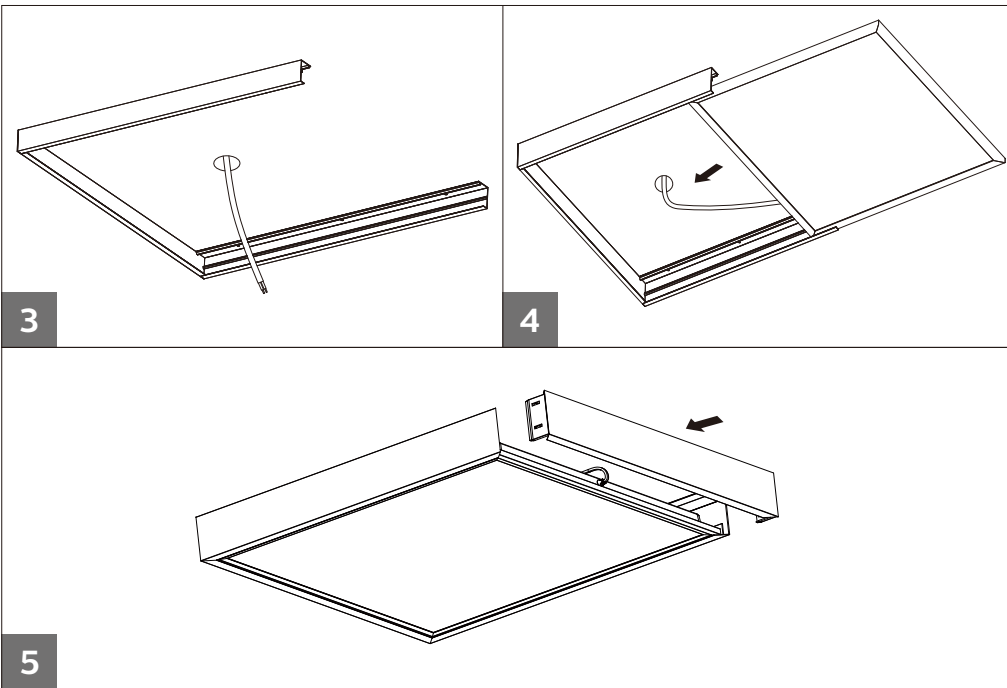


W60L60/W62L62: 4x
W30L120: 6x

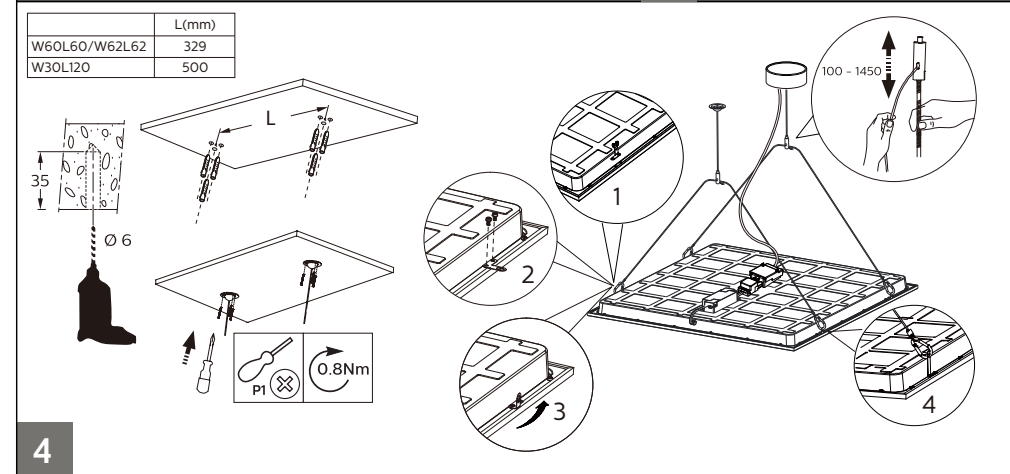
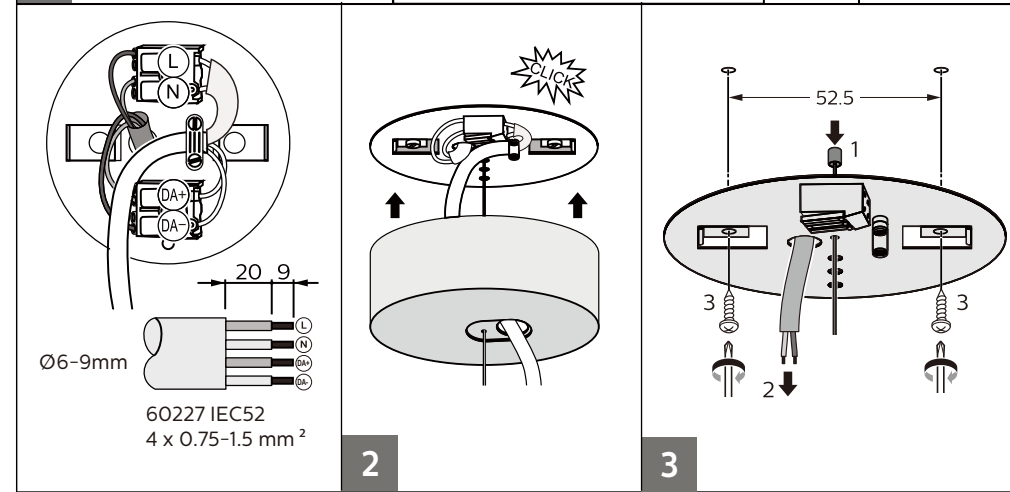
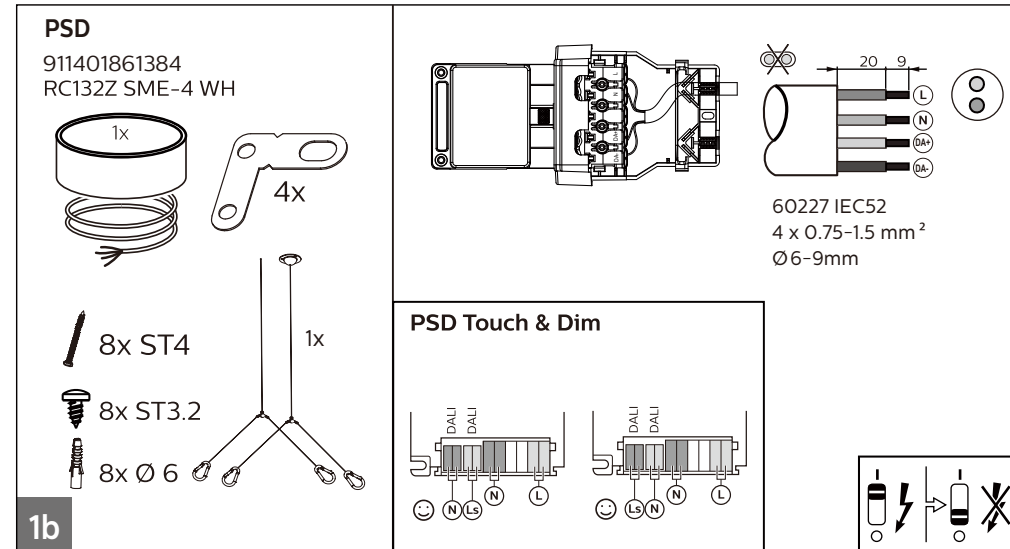
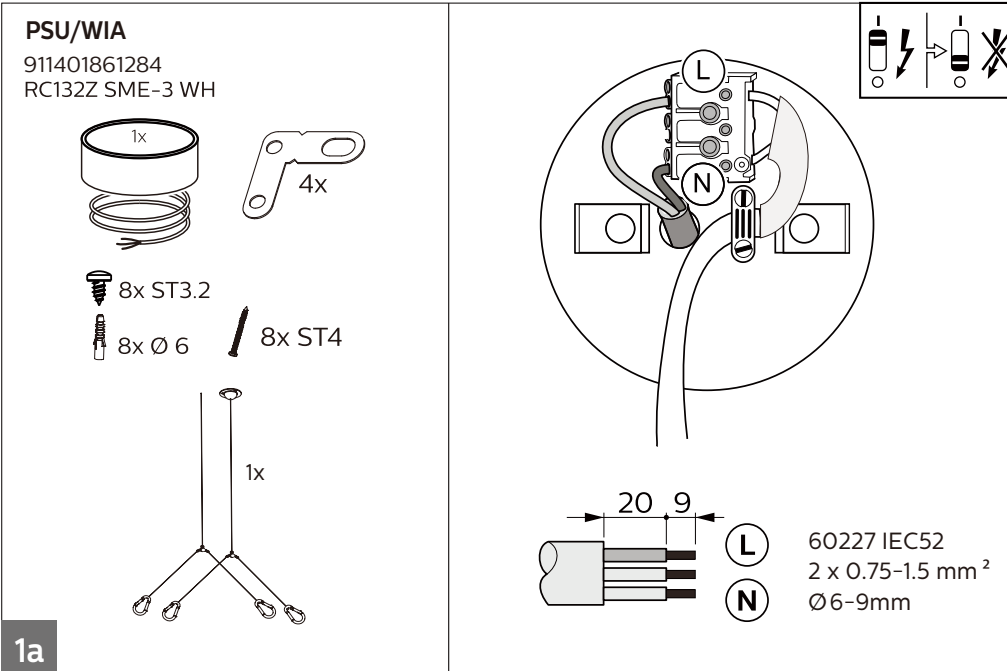


	A	B	C	D	E	F
W60L60	615.5	615.5	335.5	580	/	/
W62L62	640.5	640.5	428	605	/	/
W30L120	1215.5	315.5	855.5	280	/	/
	/	/	/	/	1180	210

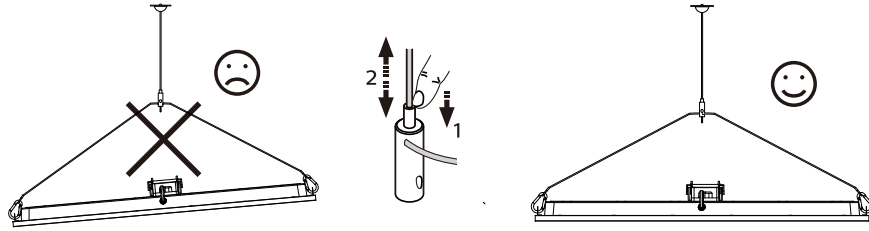
2



Suspension
 Optional with
 911401861284 RC132Z G5 SME-3 WH(PSU/WIA)
 911401861384 RC132Z G5 SME-4 WH(PSD)



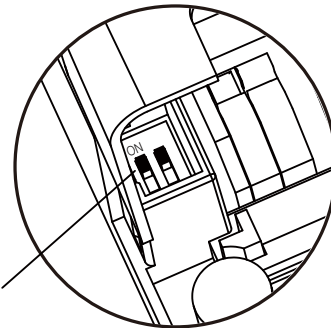
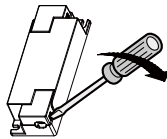
5



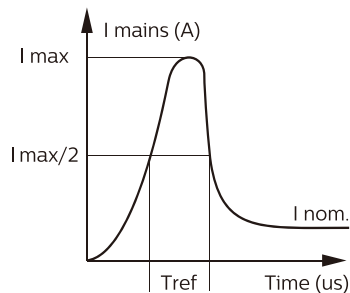
Multi Lumen

PSD					
Lumen selection					
Lumen (/830)	Lumen (/840)	Lumen (/940)	Iout	Pin1	Pin2
2900	3100		0.65A	OFF	OFF
3400	3600	3100	0.75A	ON	OFF
4000	4300	3600	0.9A	OFF	ON
		4300	1.05	ON	ON

PSU					
Lumen selection					
Lumen (/830)	Lumen (/840)	Iout	Pin1	Pin2	
2900	3100	0.65A	OFF	OFF	
3400	3600	0.75A	ON	OFF	
4000	4300	0.9A	ON	ON	



Inrush current



	PSU		PSD			WIA
	28.5W	34.5W	28.5W	34.5W	40W	28.5/34.5W
Electrical characteristics						
I_{max}(A)	16	13	18.3	18.7	18.7	4.8
T_{ref} (us)	200	200	276	288	288	56
MCB	No. of luminaires max.					
B-10 A	13	16	8	7	7	32
B-16A	21	25	14	12	12	50
C-10 A	18	23	13	12	12	52
C-16A	30	36	21	19	19	85
	PSU MultiLumen		PSD MultiLumen		PSD (/940) MultiLumen	
	24.5/28.5/34.5W		24.5/28.5/34.5W		28.5/34.5/40W	
Electrical characteristics						
I_{max}(A)	19.7		18.7		18.7	
T_{ref} (us)	242		288		288	
MCB	No. of luminaires max.					
B-10 A	8		7		7	
B-16A	13		12		12	
C-10 A	12		12		12	
C-16A	20		19		19	

GB	This product contains a light source of energy efficiency class: D,E	RO	Acest produs contine o sursă de lumină cu clasa de eficiență energetică: D,E
ES	Este producto contiene una fuente luminosa de la clase de eficiencia energética: D,E	CZ	Tento výrobek obsahuje světelný zdroj s třídou energetické účinnosti:D,E
PT	Este produto contém uma fonte de luz da classe de eficiência energética: D,E	FI	Tämä tuote sisältää valonlähteen, jonka energiatehokkuusluokka on:D,E
DE	Dieses Produkt enthält eine Lichtquelle der Energieeffizienzklasse:D,E	SE	This Denna produkt innehåller en ljuskälla med energieffektivitetsklass:D,E
FR	Ce produit conti nt une source lumineuse de classe d'efficacité énergétique: D,E	HU	Ez a termék egy energiatékonysági osztályú fényforrást tartalmaz:D,E
IT	Questo prodotto contiene una sorgente luminosa di classe di efficienza energetica: D,E	SK	Tento výrobek obsahuje svetelný zdroj triedy energetické účinnosti:D,E
NL	Dit product bevat een lichtbron van energie-efficiëntieklasse: D,E	HR	Ovaj proizvod sadržava izvor svjetlosti klase energetske učinkovitosti:D,E
DK	Dette produkt indeholder en lyskilde i energieeffektivitetsklasse: D,E	LV	Šis ražojums satur gaismas avotu, kura energoefektivitātes klase ir:D,E
LT	Šiame gaminyje yra šviesos šaltinis, kurio energijos vartojimo efektyvumo klasė: D,E	EE	Toode sisaldab energiatõhususe klassi valgusallikat: D,E
GR	Το προϊόν αυτό περιέχει φωτεινή πηγή της τάξης ενεργειακής απόδοσης: D,E	BG	Този продукт включва светлинен източник с клас на енергийна ефективност: D,E
PL	Ten produkt zawiera źródło światła o klasie efektywności energetycznej: D,E	SI	Ta izdelek vsebuje svetlobni vir razreda enerjske učinkovitosti: D,E

GB	The light source and/or control gear and/or the external flexible cable contained in this luminaire shall only be replaced by the manufacturer or his service agent or a similar qualified person.
ES	La fuente de luz/o el driver / o el cable flexible contenido en la luminaria solo podrá ser sustituido por el fabricante o su agente de servicio o por una persona cualificada.
PT	A fonte de luz e/ou o equipamento de controlo e/ou o cabo externo flexível nesta luminária só devem ser substituídos pelo fabricante ou pelo seu agente de serviço ou por pessoa qualificada para tal.
DE	Die in dieser Leuchte enthaltene Lichtquelle und/oder das Betriebsgerät und/oder das externe flexible Anschlusskable darf nur vom Hersteller oder seinem Kundendienst oder einer ähnlich qualifizierten Person ausgetauscht werden.
FR	La source lumineuse et/ou le contrôleur de courant et/ou le câble souple d'alimentation contenus dans ce luminaire ne doivent être remplacés que par le fabricant, un de ses agents ou une personne qualifiée.
IT	La sorgente luminosa e/o il dispositivo di controllo e/o il cavo flessibile esterno contenuti in questo apparecchio di illuminazione sono sostituiti solo dal costruttore o dal suo agente di servizio o da una persona qualificata analoga.
NL	De lichtbron en/of voorschakelapparatuur en/of de flexibele voedingskabel van dit armatuur mag alleen vervangen worden door de fabrikant of haar service dealer of een vergelijkbaar gekwalificeerd persoon.
DK	Lyskilden og/eller driver og/eller eksterne kabler indeholdt i dette armatur må kun udskiftes af producenten eller godkendt service partner eller lignende kvalificeret person.
SE	Ljuskällan och/eller styrsystemet och/eller den externa kablern i denna armatur får endast bytas ut av tillverkaren eller en kvalificerad person.
NO	Lyskilden og/eller driveren og/eller den eksterne kablern i dette armaturet skal bare erstattes av produsenten eller dens service agent eller tilsvarende kvalifisert person.
CZ	Světelný zdroj a/nebo napájecí zdroj (předřadník) a/nebo flexibilní napájecí kabel v tomto svítidle smí vyměňovat pouze výrobce nebo jeho servisní technik nebo obdobně kvalifikovaná osoba.
HU	A lámpatestben található fényforrást és/vagy működtető szerelvényt és/vagy a külső rugalmas kábelt csak a gyártó, a gyártóval szerződött cég vagy megfelelő képesítéssel rendelkező szakember cserélheti ki.
PL	Źródło światła i/lub zasilacz i/lub zewnętrzny przewód zasilający, który jest w sprawie powinien być wymieniony przez producenta lub jego serwisanta lub kwalifikowany personel.
RO	Sursa de lumină și / sau aparatul și / sau cablu flexibil extern conținut în acest aparat de iluminat trebuie înlocuite numai de producător sau de agentul său de service sau de o persoană calificată similară.
FI	Tässä valaisimessa oleva valonlähde ja/tai muut komponentit, kuten liitäntälaitte ja/tai ulkoiset kaapelit saadaan vaihtaa vain valmistajan tai tämän valtuuttaman huoltoedustajan tai vastaavan pätevän henkilön toimesta.
TR	Bu armatürde bulunan ışık kaynağı ve / veya kontrol tertibatı ve / veya harici esnek kablo, yalnızca imalatçı veya onun servis temsilcisi veya benzer bir kalifiye kişi tarafından değiştirilmelidir.
HR	Izvor svjetlosti i / ili predpoina naprava i / ili vanjski fleksibilni napojni kabel sadržan u ovoj svjetiljci smije zamijeniti samo proizvođač, ovlašteni serviser ili adekvatna stručno osposobljena i ovlaštena osoba.
GR	Η φωτεινή πηγή ή/και τα όργανα έναρσης/ελέγχου ή/και το εξωτερικό εύκαμπτο καλώδιο που περιέχεται στο εν λόγω φωτιστικό πρέπει να αντικαθίστανται μόνο από τον κατασκευαστή ή τον αντιπρόσωπο σέρβις ή παρόμοιο εξουσιοδοτημένο πρόσωπο.
BG	Източникът на светлина и / или пусково-регулируща апаратура и / или външният гъвкав кабел, съдържащ се в това осветително тяло, трябва да бъдат заменени само от производителя или неговия авторизиран сервиз или подобно квалифицирано лице.
RU	Источник света и / или ПРА и / или внешний гибкий кабель, содержащиеся в этом светильнике, могут быть заменены только производителем, его агентом по обслуживанию или аналогичным квалифицированным лицом.
SK	Svetelný zdroj a/alebo predradnik a/alebo externý flexibilný kábel obsiahnutý v tomto svietidle môže byť vymenený len výrobcom alebo servisným partnerom alebo inou podobne kvalifikovanou osobou.
LT	Šviesos šaltinis ir/arba valdymo įrenginys ir/arba išorinis lankstus kabelis esantis šiame šviestuve gali būti pakeistas tik gamintojo arba jo aptarnavimo agento ar tai atitinkancio kvalifikuoto asmens.
LV	Gaismas avotu un / vai vadības ierīci un / vai ārējo elastīgo kabeli, kas atrodas šajā gaismeklī, drīkst nomainīt tikai ražotājs vai viņa servisa pārstāvis vai līdzīga kvalificēta persona.
EE	Selles valgustus sisalduva valgusallika ja/või juhtimiseadme ja/või välise painduva kaabli võib välja vahetada ainult tootja, vastav hooldusspetsialist või muu samane kvalifitseeritud isik.
SI	Vir svetlobe in / ali napajalnik in / ali zunanji prilagodljivi kabel, ki ga vsebuje ta svetilka, lahko zamenja le proizvajalec ali njegov servis ali podobna usposobljena oseba.

