

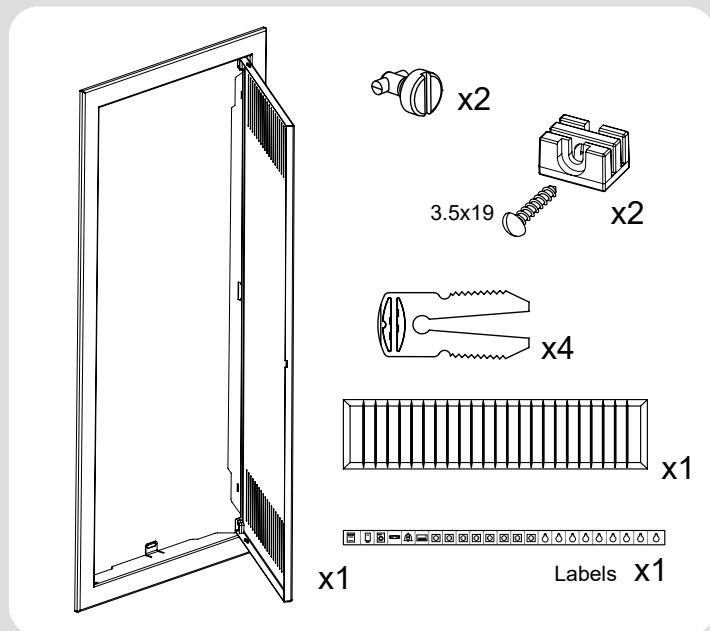
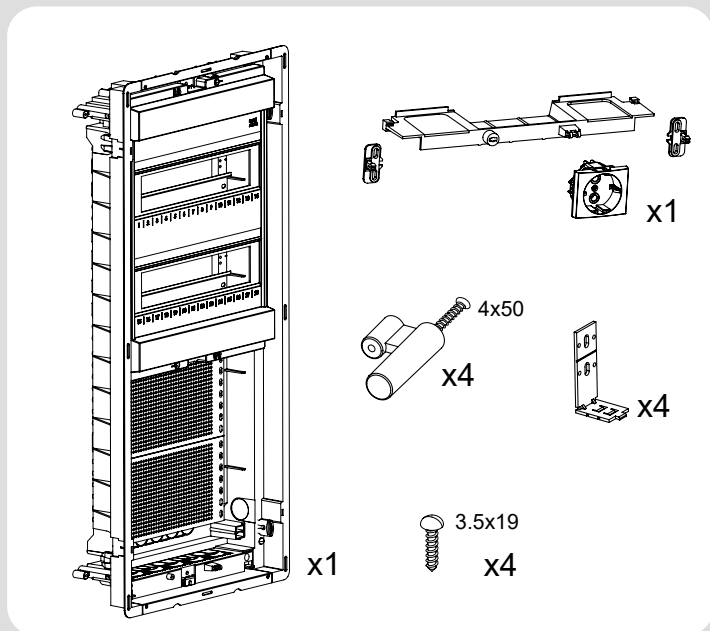
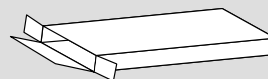
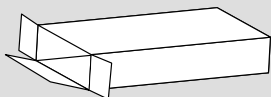
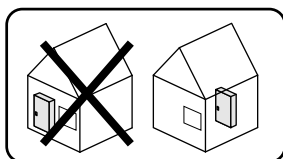
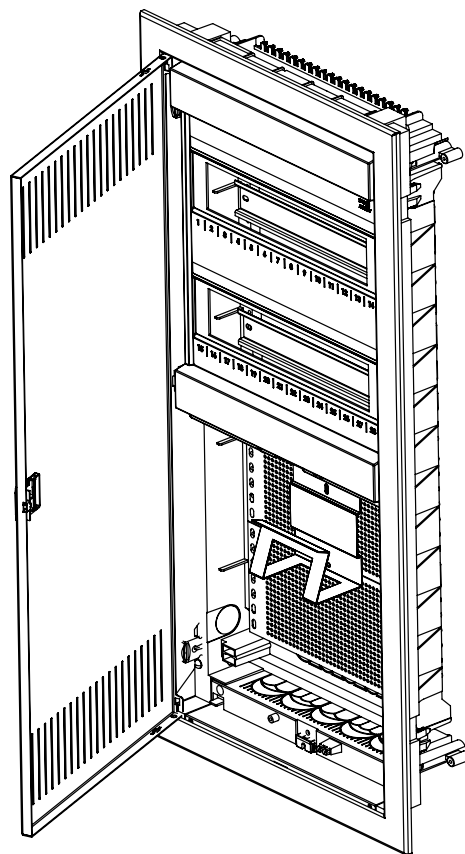


ETI Elektroelement d.o.o  
Obrezija 5  
1411 Izlake  
Slovenia

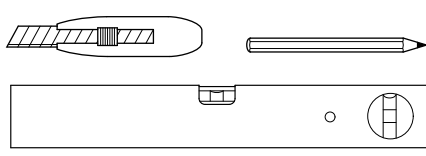
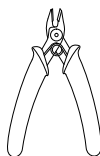
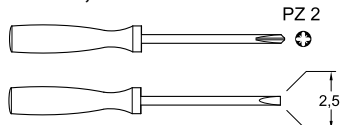
ETI Polam Sp.z.o.o.  
ul. Jana Pawła II 18  
06-100 Pułusk  
Polska

- DE Montageanleitung
- FR Notice d'instructions
- GB Mounting instructions
- NL Montage instructie
- DK Monteringsvejledning
- FI Asennusohje
- NO Montasjeanvisning
- SE Monterings instruktioner
- IT Istruzioni di montaggio
- ES Instrucciones de montaje
- PT Instruções de montagem
- CZ Montážní návod
- BA Uputstvo za montažu
- SR Uputstvo za montažu
- UK Керівництво з монтажу

- HR Upute za montažu
- HU Szerelési útmutató
- LT Montavimo instrukcija
- LV Montāžas instrukcija
- PL Instrukcja montażowa
- RO Instrucțiuni de montare
- SK Návod na montáž
- RU Руководство по монтажу
- BG Инструкции за монтаж
- GR Οδηγίες χώνευσης
- SI Navodilo za montažo
- EE Paigaldusjuhised
- IS Leiðbeiningar
- AR دليل التركيب



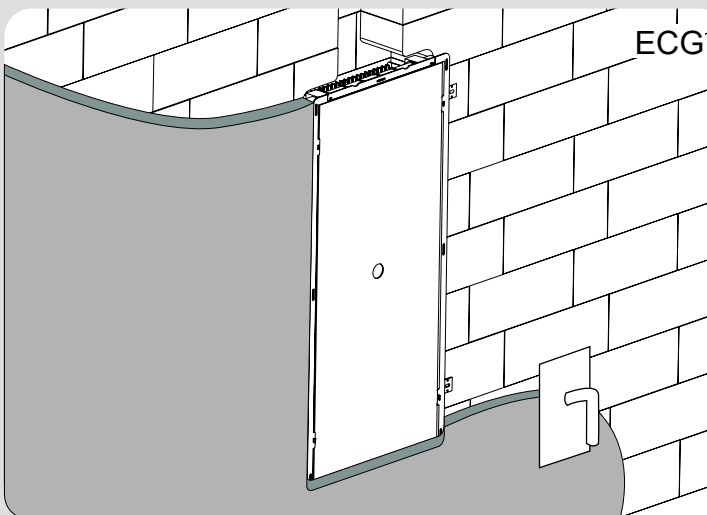
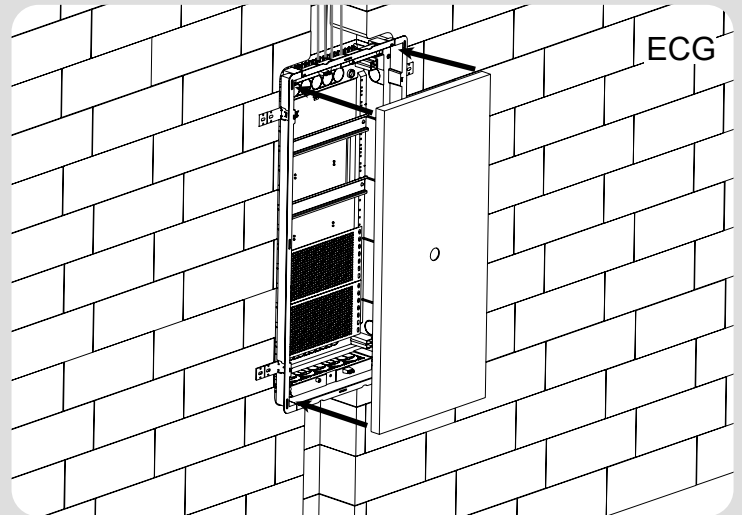
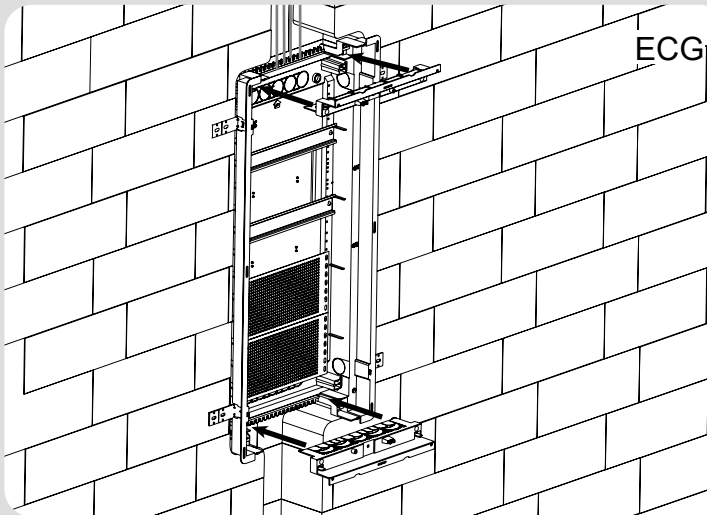
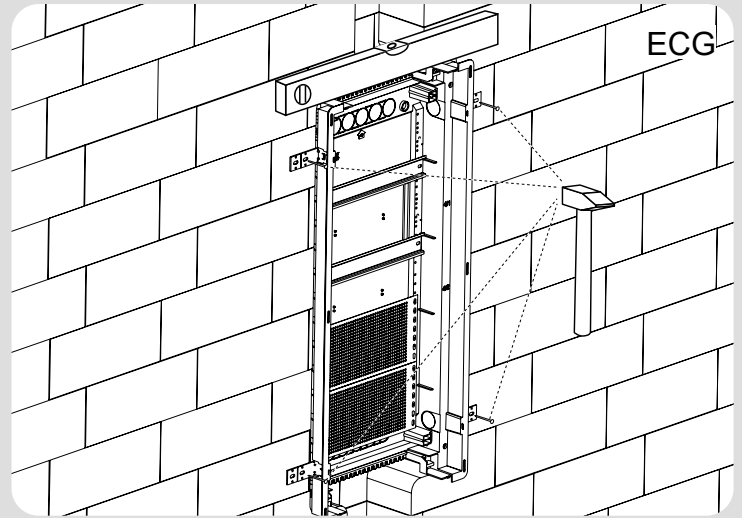
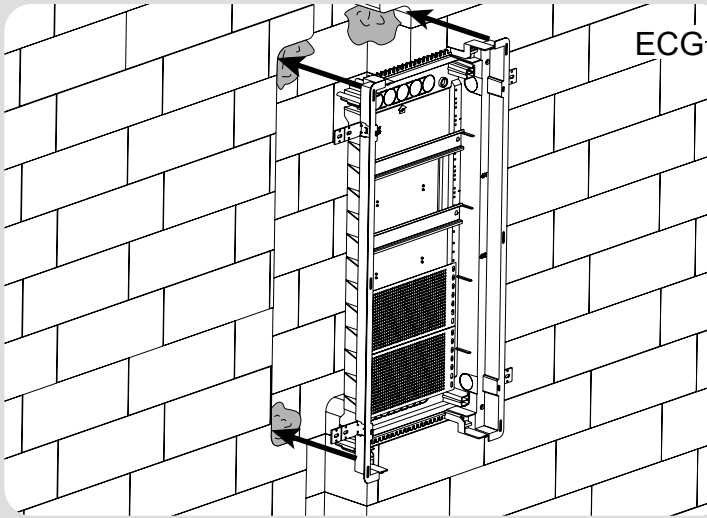
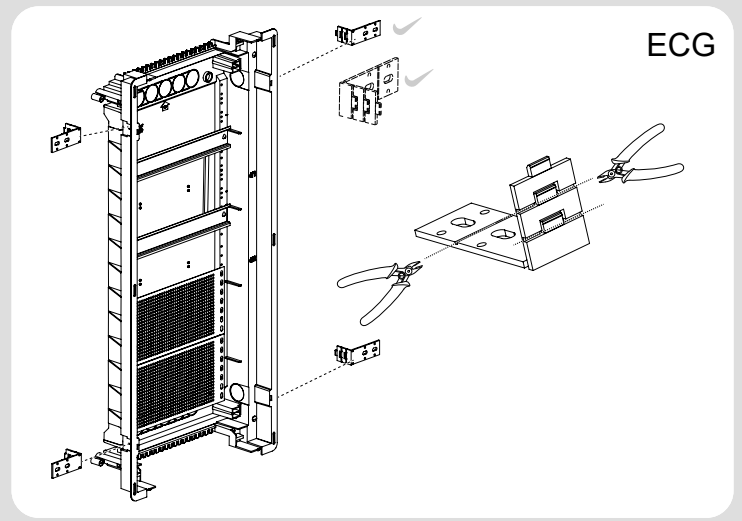
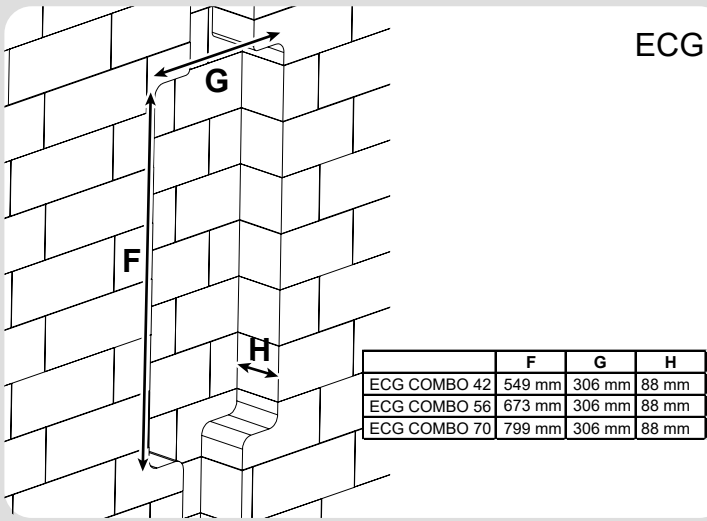
ECG, ECGH



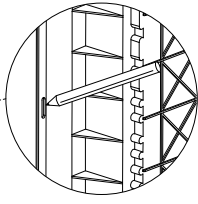
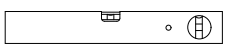
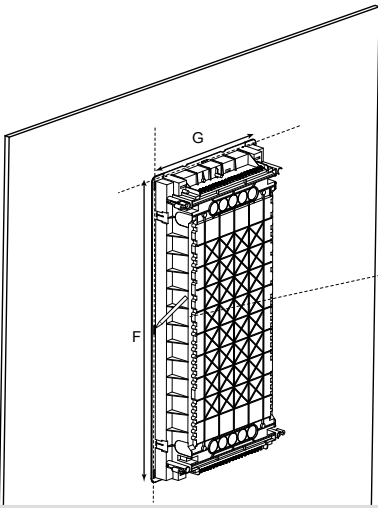
ECG



ECGH

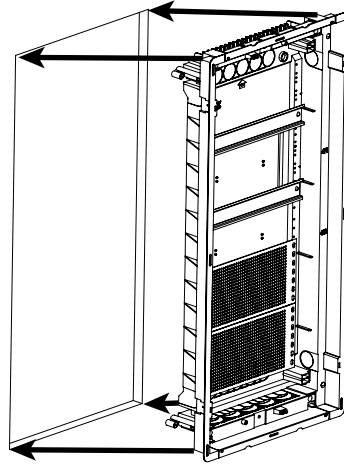


ECGH

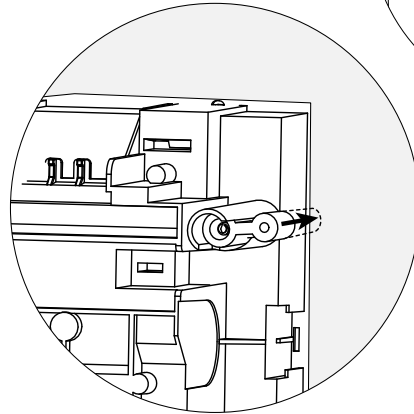
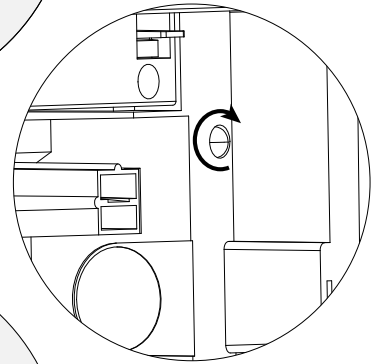
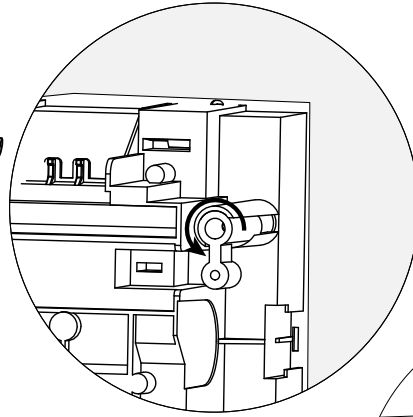
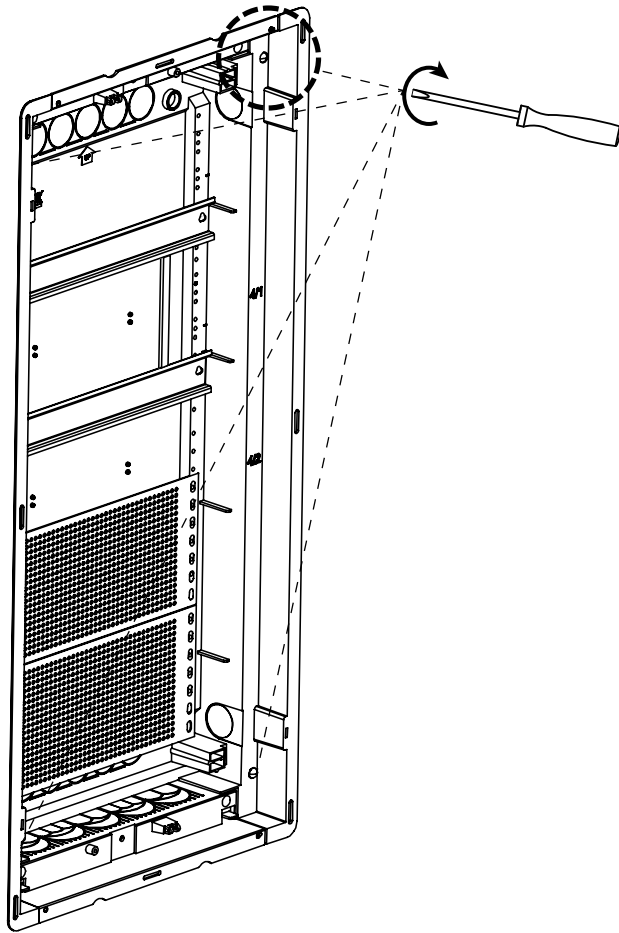


	F	G
ECG COMBO 42	549 mm	306 mm
ECG COMBO 56	673 mm	306 mm
ECG COMBO 70	799 mm	306 mm

ECGH

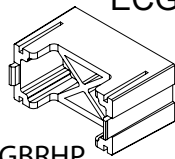
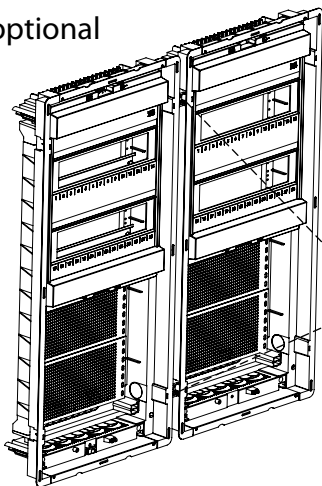


ECGH

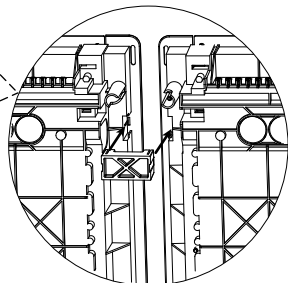


optional

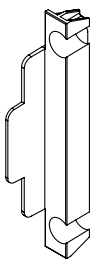
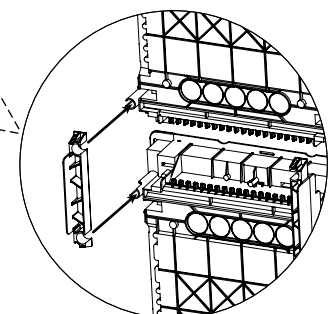
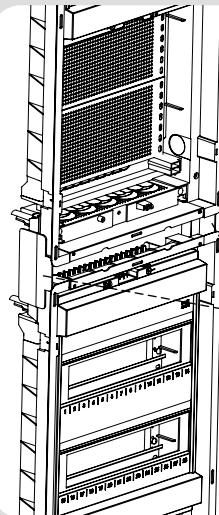
ECGH ECG



ECGBRHP

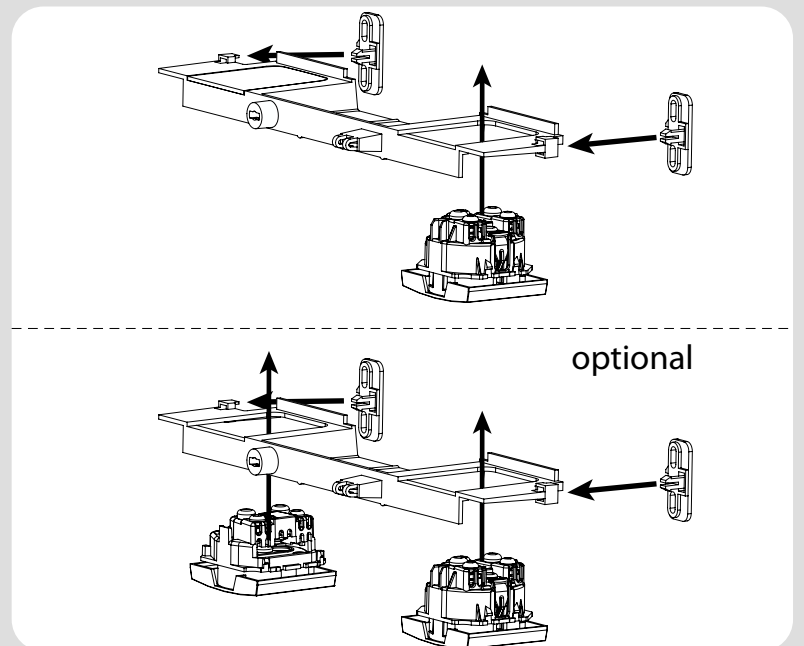
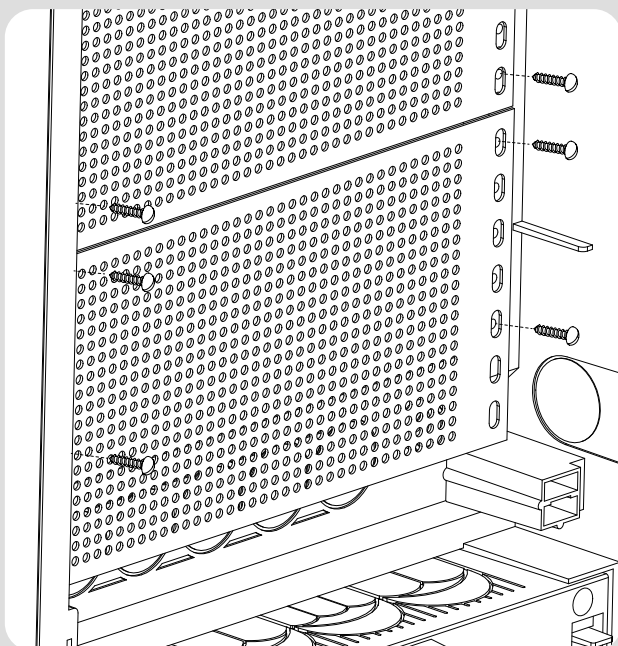
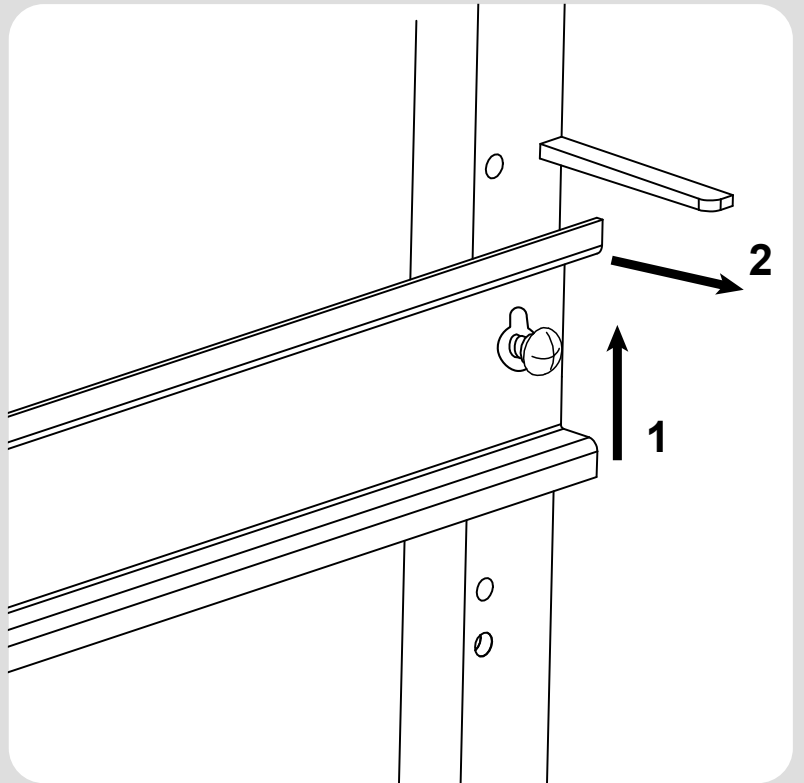
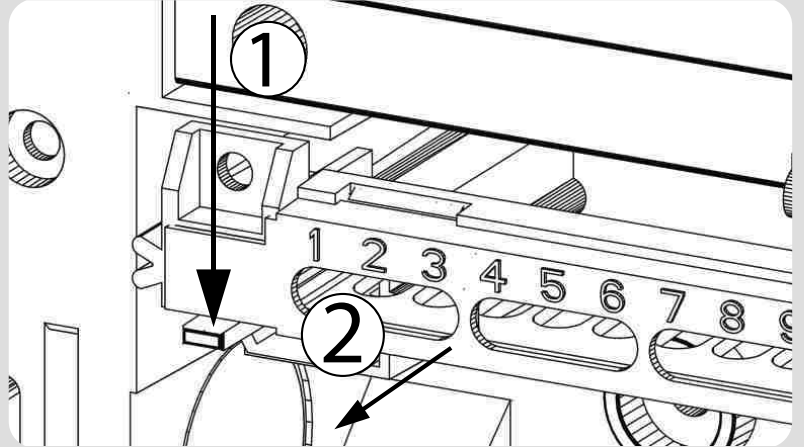
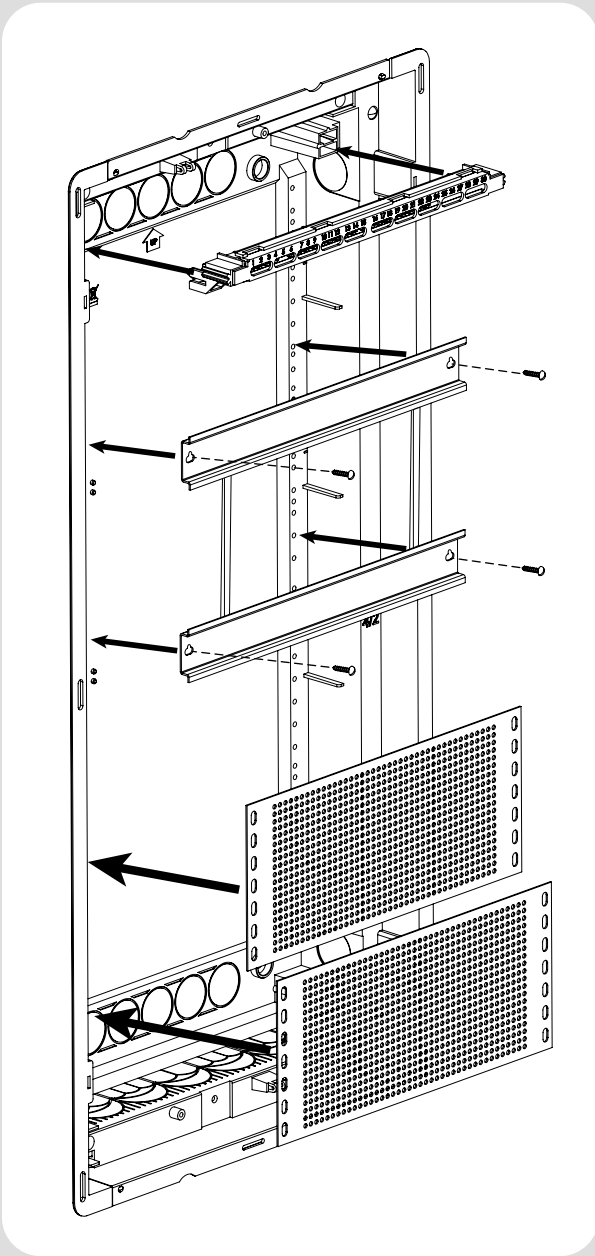


optional ECGH ECG

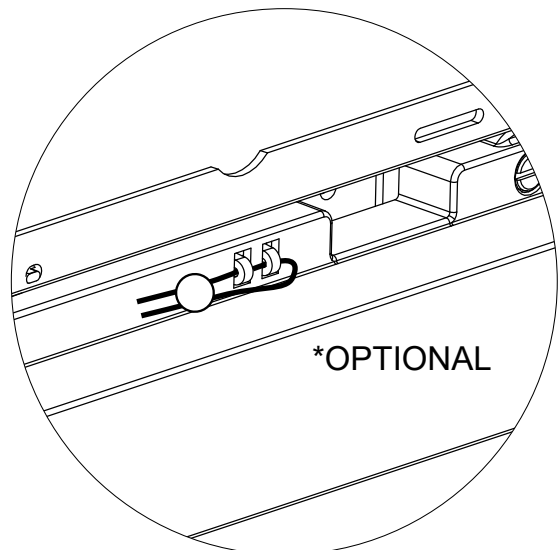
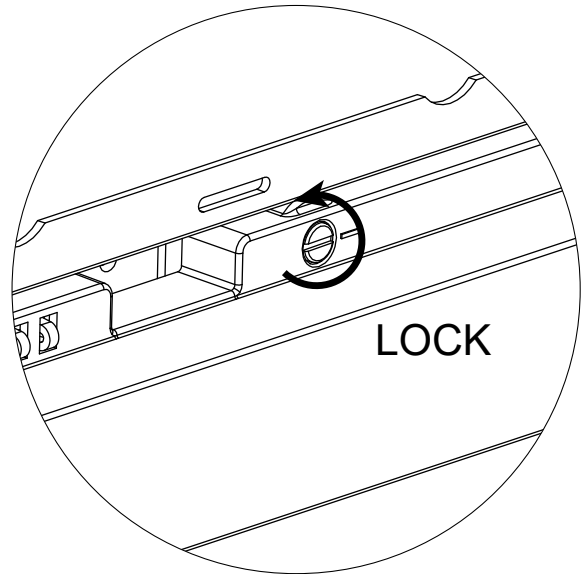
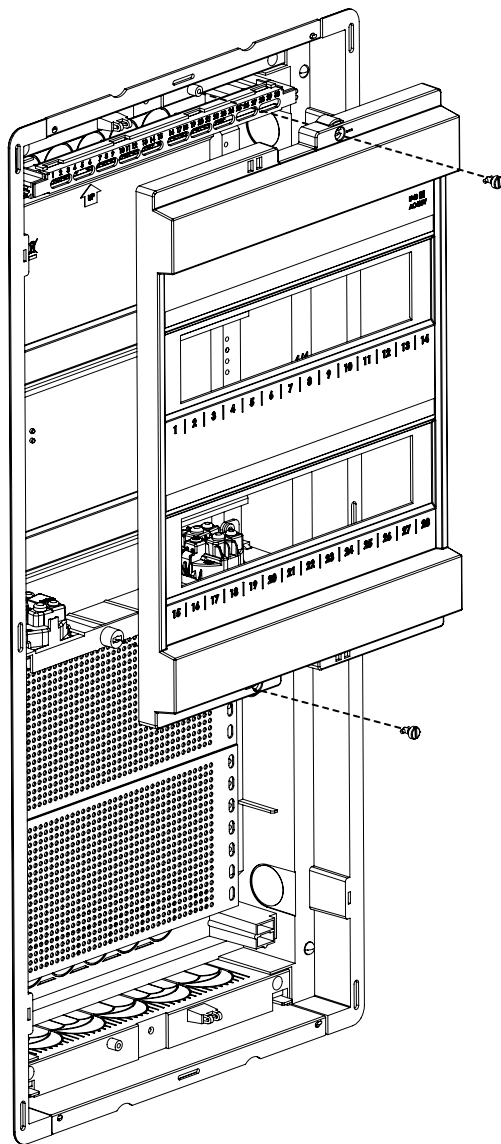
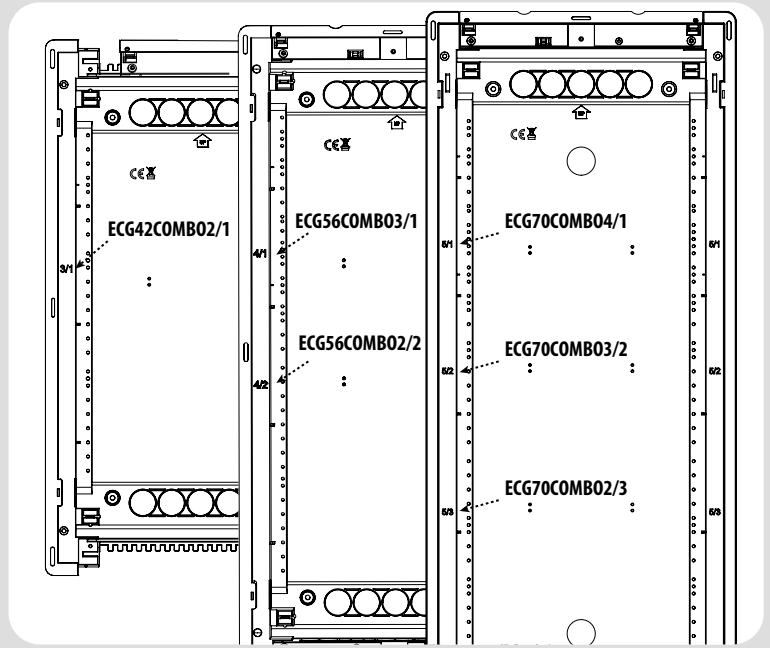
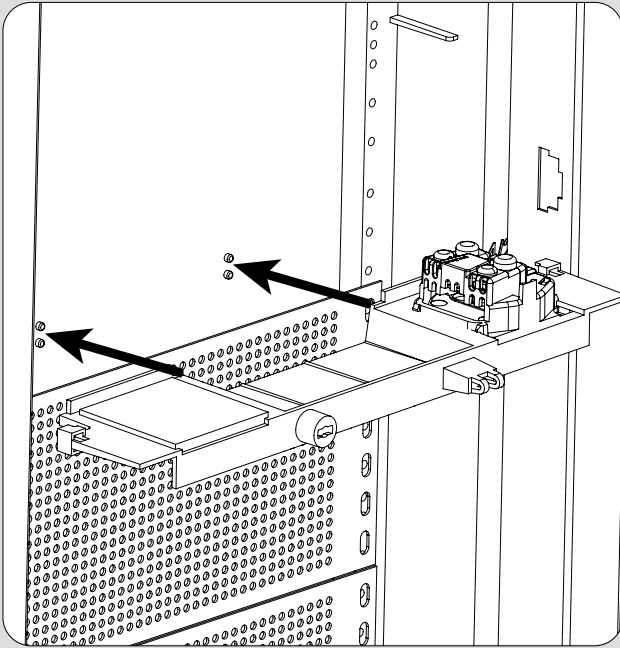


ECGBRV

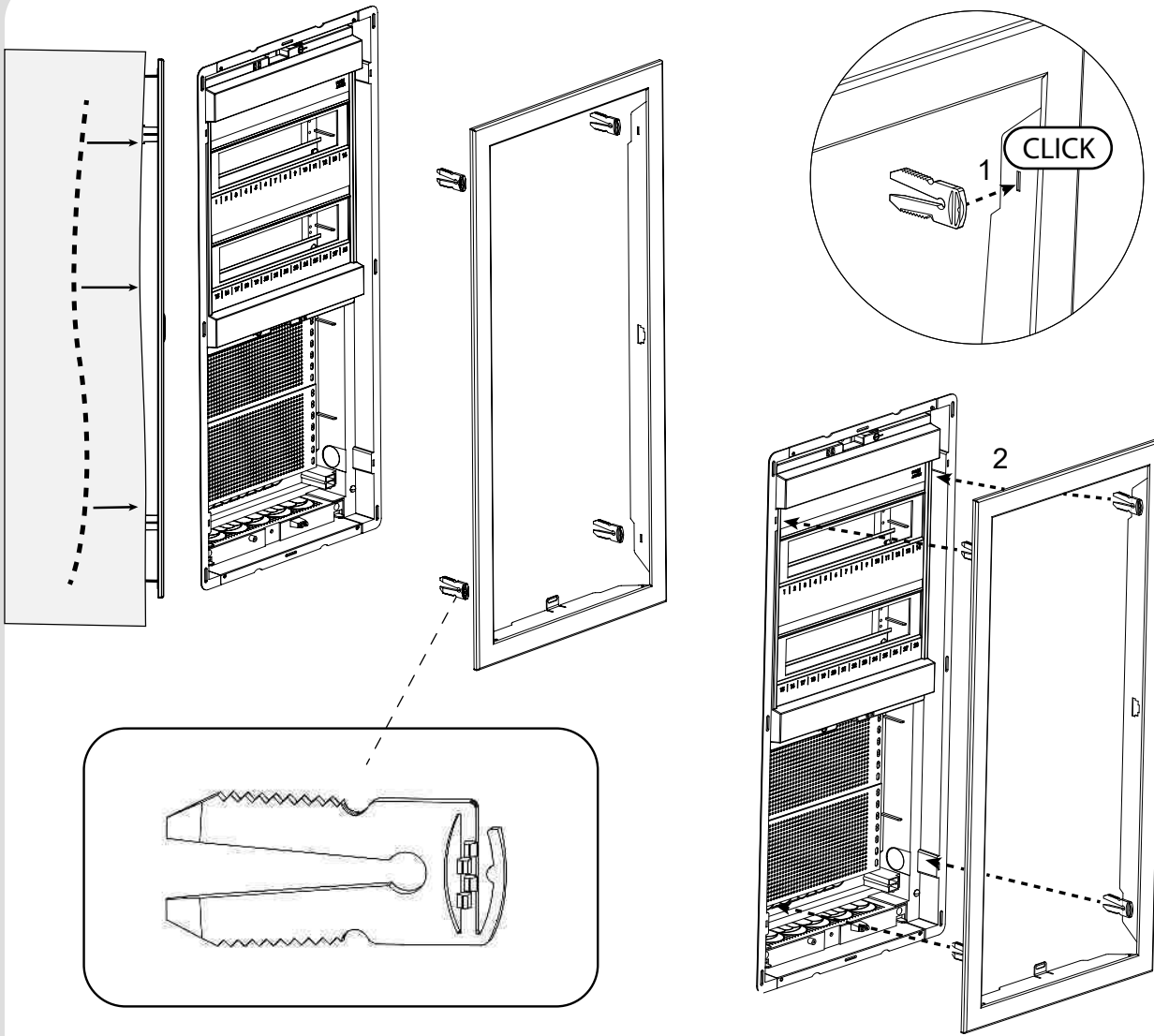
# ECG, ECGH



# ECG, ECGH



# ECG, ECGH

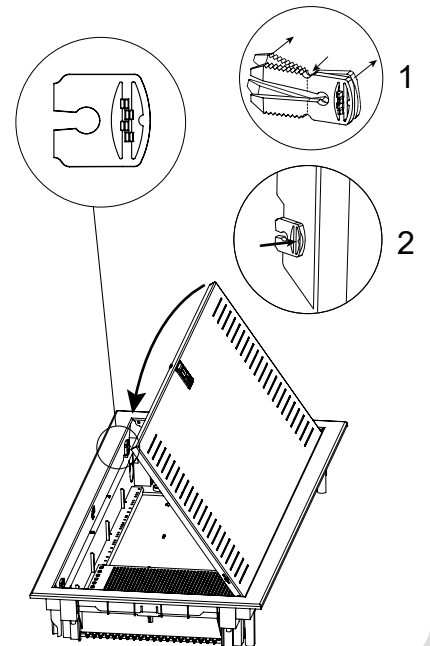
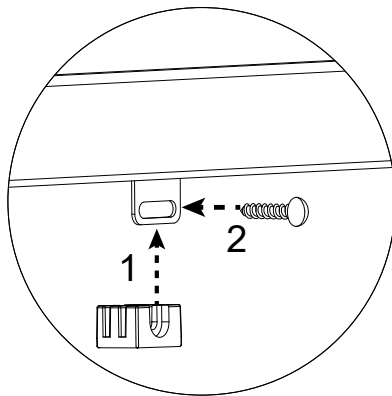
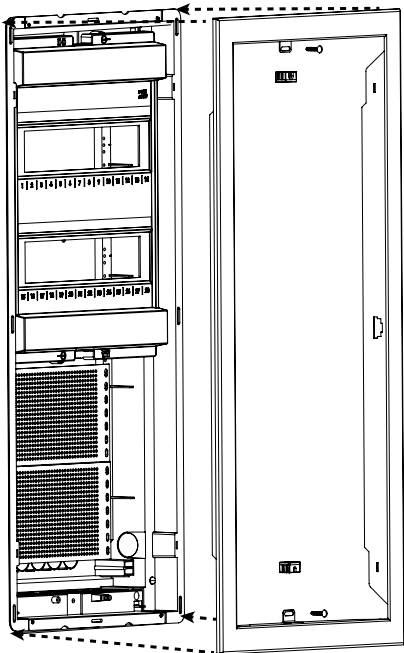


4 point connection

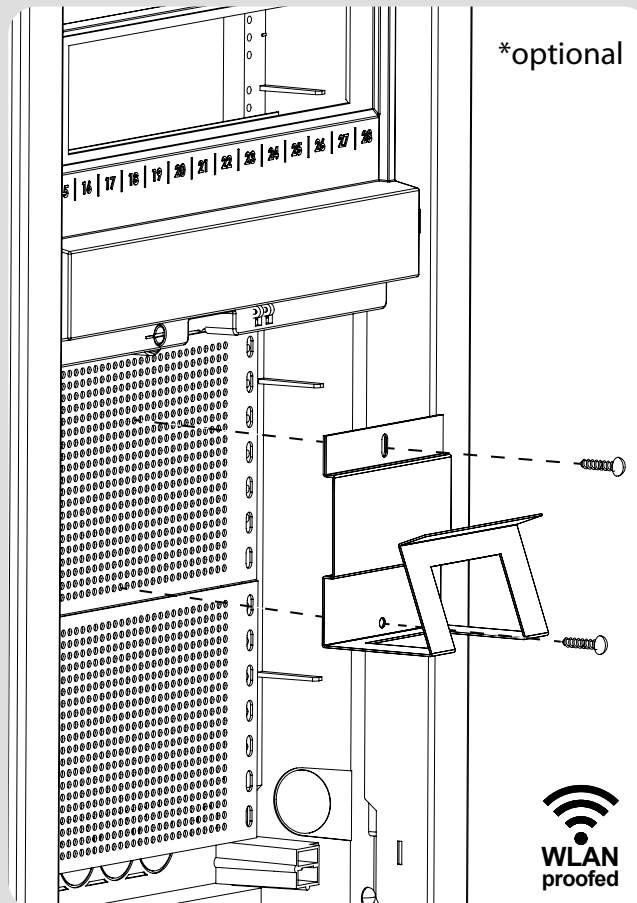
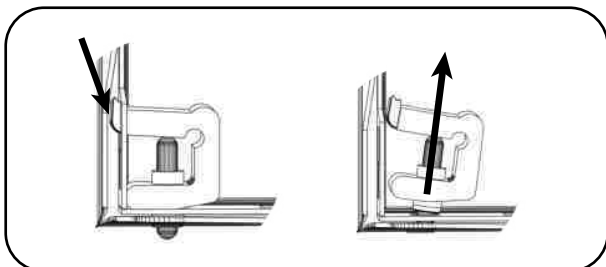
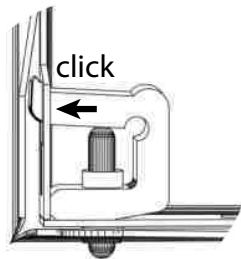
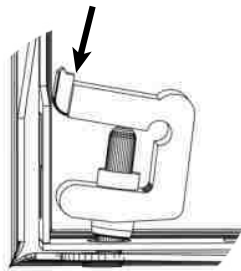
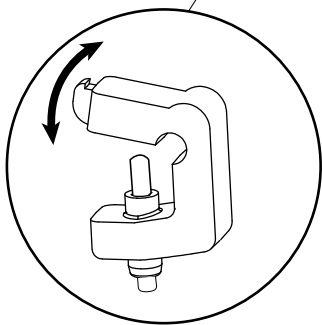
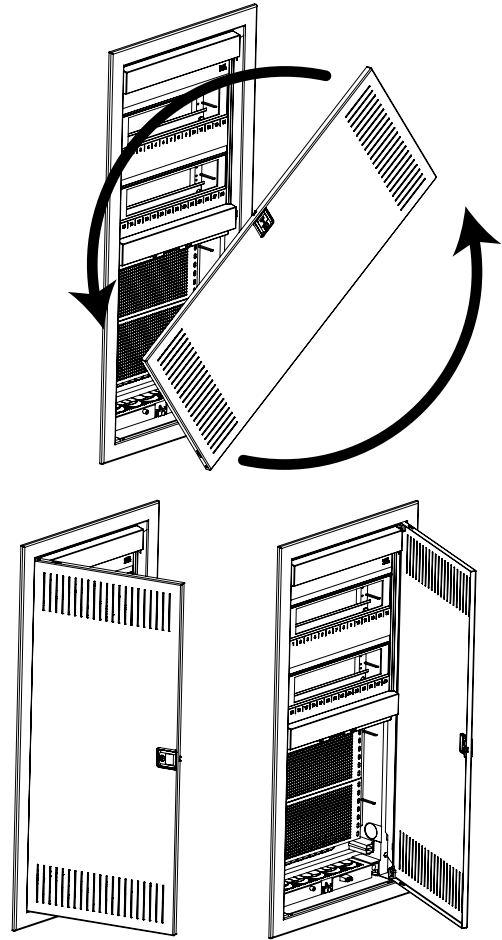
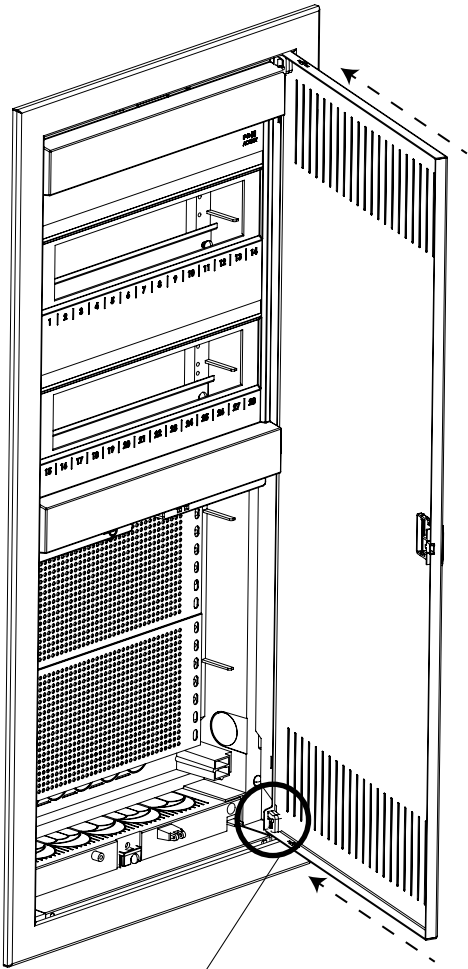
OR

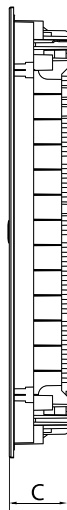
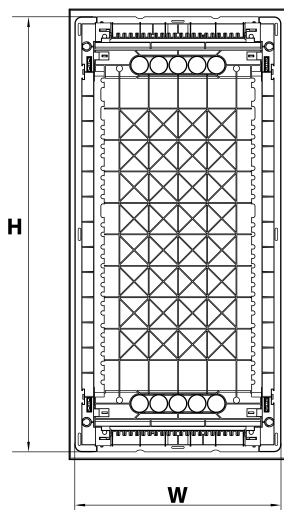
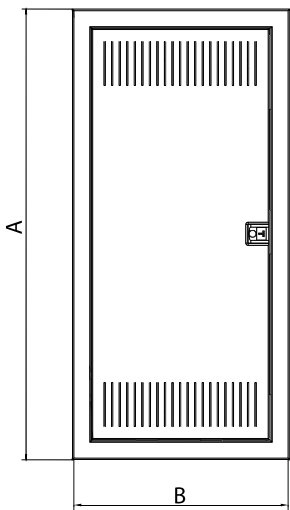
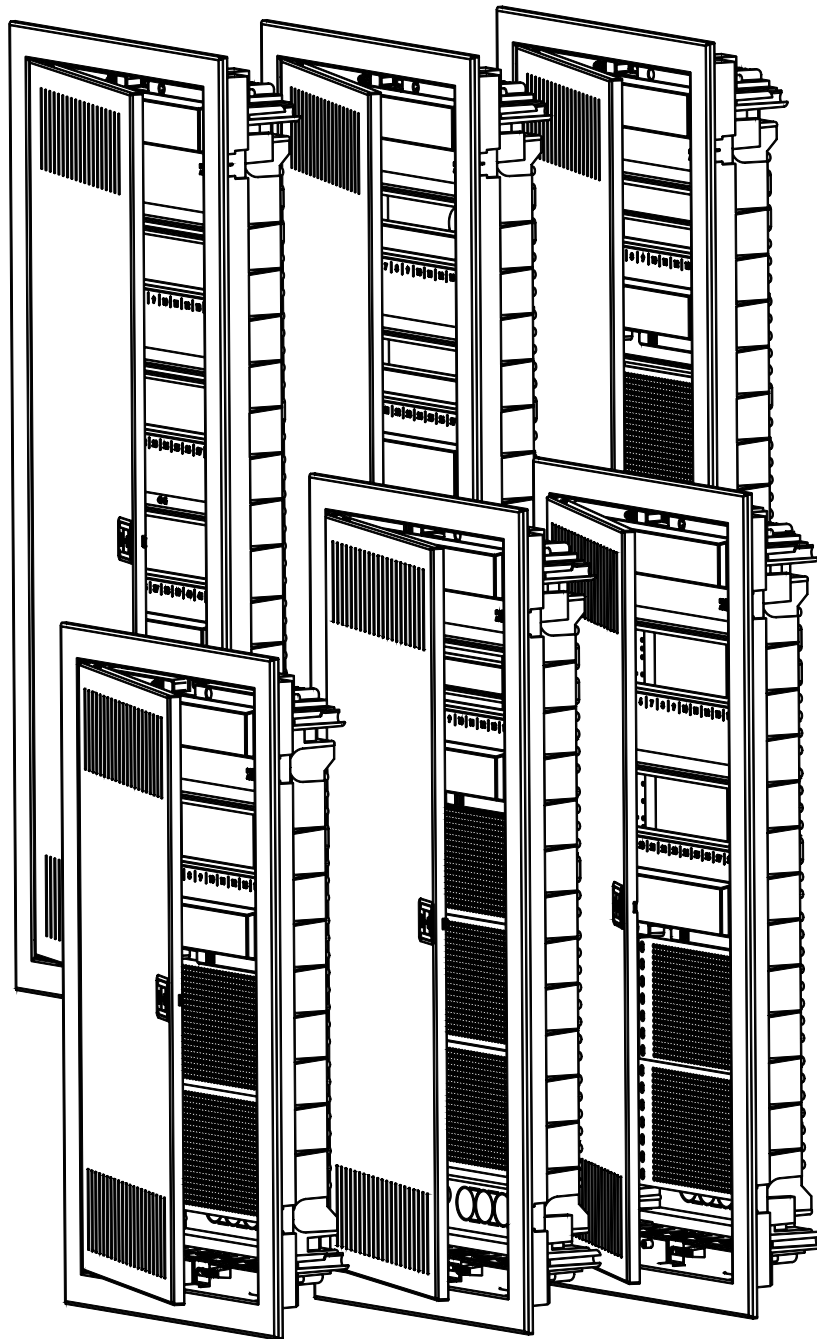
2 point connection

door stopper



# ECG, ECGH





	A	B	C	H	W
ECG42COMBO2/H	592 mm	346 mm	92 mm	549 mm	306 mm
ECG56COMBO3/H	717 mm	346 mm	92 mm	673 mm	306 mm
ECG56COMBO2/2-I	717 mm	346 mm	92 mm	673 mm	306 mm
ECG70HCOMBO4/H	842 mm	346 mm	92 mm	799 mm	306 mm
ECG70HCOMBO3/2-I	842 mm	346 mm	92 mm	799 mm	306 mm
ECG70HCOMBO2/3-I	842 mm	346 mm	92 mm	799 mm	306 mm

	ECG42COMBO2/H	ECG56COMBO3/H	ECG56COMBO2/2-I
No. of modules	12 + 2	12 + 2	24 + 4
PE, N terminal	2 x 10	2 x 10	2 x 13

	ECG70HCOMBO4/H	ECG70HCOMBO3/2-I	ECG70HCOMBO2/3-I
No. of modules	12 + 2	24 + 4	36 + 6
PE, N terminal	2 x 10	2 x 13	2 x 15

For indoor locations (S 50% RH at max. +40°C or for example 90% RH at +20°C)  
 Temperature range: -25°C ... +60°C. Rating Voltage: AC400V; IP30, IK08  
 According to: IEC 60670; IEC 62208