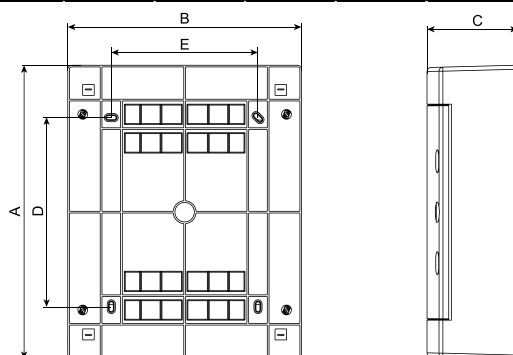
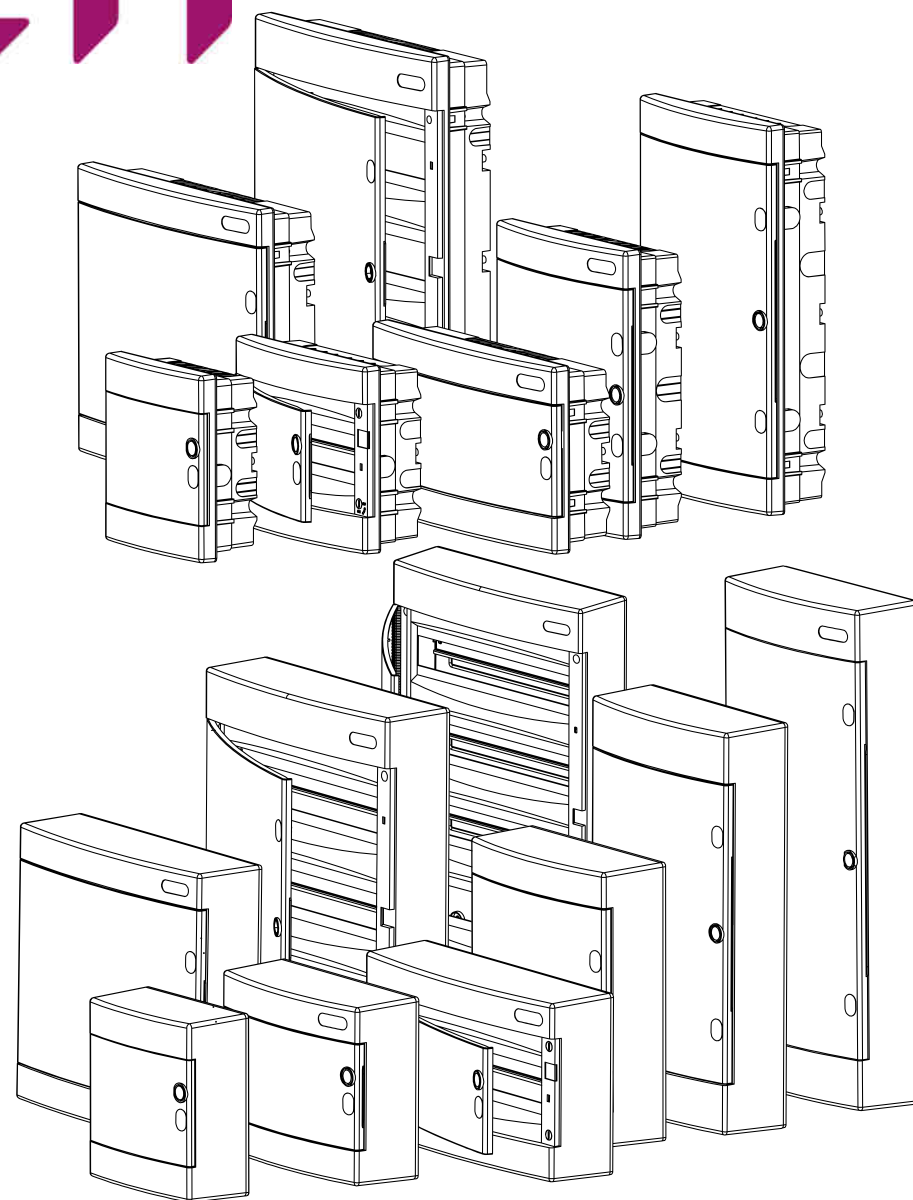


DIN RAIL MOUNTING	A	B	C	D	E	F	G	Pde	Static loa
ECM4PT / ECM4PO	232 mm	139 mm	99 mm	-	123 mm	216 mm	69 mm	> 10 W	520 g
ECM8PT / ECM8PO	232 mm	211 mm	99 mm	-	201 mm	212 mm	68 mm	> 16 W	1040 g
ECM12PT / ECM12PO	232 mm	283 mm	106 mm	-	273 mm	212 mm	68 mm	> 25 W	1560 g
ECM24PT / ECM24PO	357 mm	283 mm	106 mm	125 mm	273 mm	336 mm	68 mm	> 30 W	1560 g
ECM36PT / ECM36PO	482 mm	283 mm	106 mm	125 mm	273 mm	462 mm	68 mm	> 30 W	1560 g
ECM18PT / ECM18PO	232 mm	392 mm	106 mm	-	382 mm	212 mm	68 mm	> 25 W	2340 g
ECM 2x18PT / ECM 2x18PO	357 mm	392 mm	106 mm	125 mm	382 mm	336 mm	68 mm	> 30 W	2340 g
ECM 3x18PT / ECM 3x18PO	522 mm	392 mm	106 mm	125 mm	382 mm	502 mm	68 mm	> 35 W	2340 g



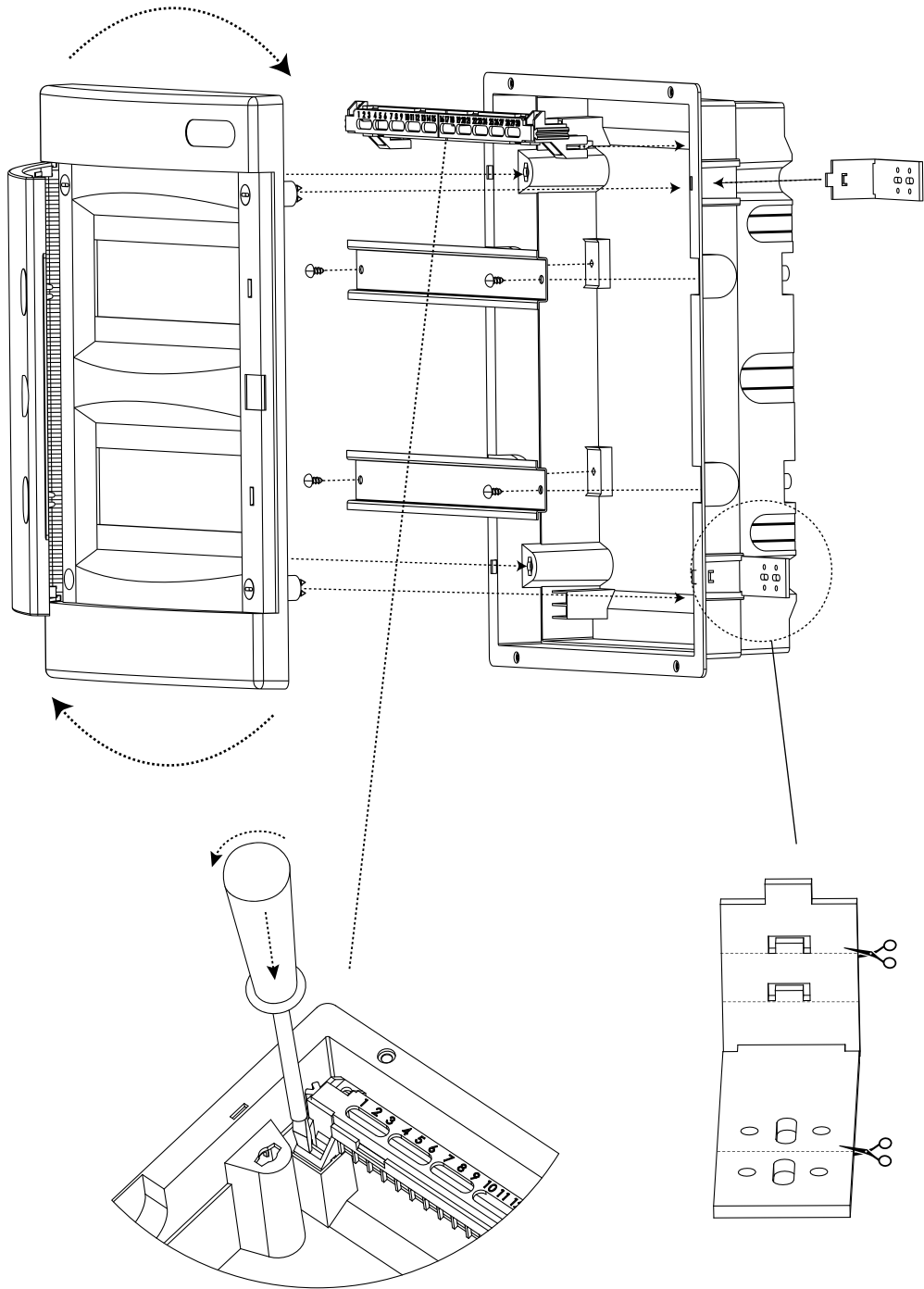
DIN RAIL MOUNTING	A	B	C	D	E	Pde	Static load
ECMT4PT / ECT4PO	235 mm	143 mm	98 mm	127 mm	46 mm	> 10 W	520 g
ECT8PT / ECT8PO	236 mm	287 mm	102 mm	107 mm	180 mm	> 16 W	1040 g
ECT12PT / ECT12PO	236 mm	287 mm	112 mm	107 mm	180 mm	> 25 W	1560 g
ECT24PT / ECT24PO	361 mm	287 mm	112 mm	232 mm	180 mm	> 30 W	1560 g
ECT36PT / ECT36PO	485 mm	287 mm	112 mm	357 mm	180 mm	> 30 W	1560 g
ECT48PT / ECT48PO	652 mm	287 mm	112 mm	482 mm	180 mm	> 35 W	1560 g
ECT18PT / ECT18PO	236 mm	396 mm	112 mm	107 mm	289 mm	> 25 W	2340 g
ECT 2x18PT / ECT 2x18PO	361 mm	396 mm	112 mm	232 mm	289 mm	> 30 W	2340 g
ECT 3x18PT / ECT 3x18PO	526 mm	396 mm	112 mm	357 mm	289 mm	> 35 W	2340 g
ECT 4x18PT / ECT 4x18PO	651 mm	396 mm	112 mm	482 mm	289 mm	> 40 W	2340 g



For indoor locations ($\leq 50\%$ RH at max. $+40^\circ\text{C}$ or for example 90% RH at $+20^\circ\text{C}$)
 Temperature range: -25°C ... $+60^\circ\text{C}$, Rating Voltage AC 400 V; IP40; Class II; IK08
 According to: IEC 60670; IEC 62208

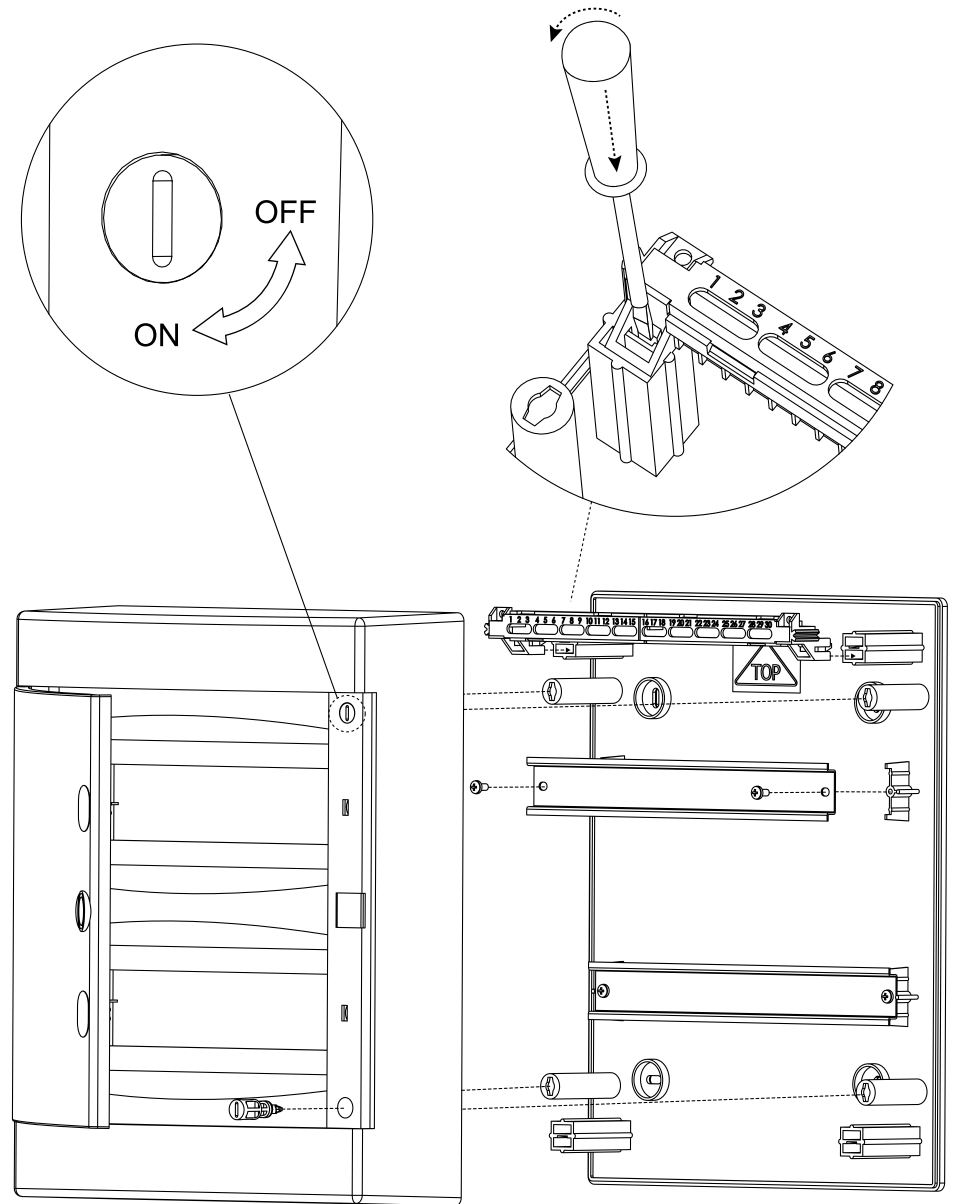
ETI Elektroelement d.o.o
 Obrezija 5
 1411 Izlake
 Slovenia

ETI Polam Sp.z.o.o.
 ul. Jana Pawła II 18
 06-100 Pułtusk
 Polska



DIN RAIL MOUNTING

Ed.2 - 06/2020



DIN RAIL MOUNTING