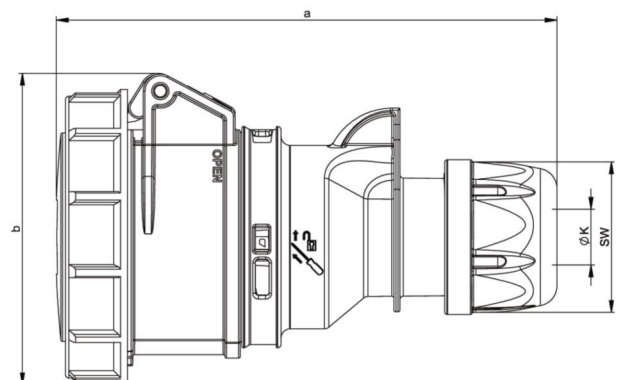
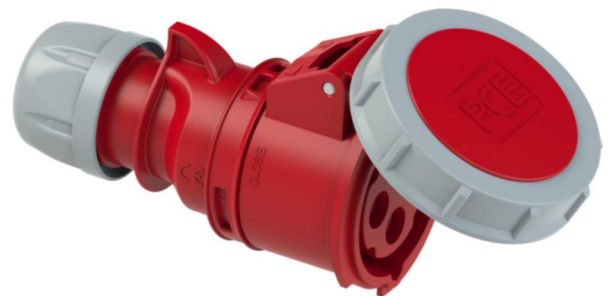


## PCE data sheet

article#	<b>2242-3v</b>
article description	<b>CEE-connector 32A 4p 3h IP67 SHARK</b>
description long	CEE-connector 32A 4p 3h IP67 SHARK housing material: PA6 rated current: 32A number of poles: 4 (3P+PE) clock-position: 3h rated voltage/frequency: 380/440V~ / 50/60Hz contacts: brass nickel plated connection technology: screw terminals IP protection class: IP66/IP67
GTIN (EAN)	9003399139710
country of origin	AT
customs number	85366990
net weight	0.292 kg
packaging quantity	10
minimum order quantity	10

ETIM 7.0	EC001320
IEC-amperage	32 A
Number of poles	4
Voltage acc. EN 60309-2	400-440 V (50+60 Hz) red
Clock hour position	3 h
Identification colour	Red
Degree of protection (IP)	IP67
Connection system	Screwed terminal
Angle of plug	Straight
Cable entry	Swivel
Material	Plastic
Contact material	CuZn
Surface finish contacts	Nickel-plated

a	163 mm
b	96 mm
K (cable Ø)	11,5-20 mm
SW	50 mm
wire flexible	2,5-6 mm <sup>2</sup>
contact screws	110 Ncm
strain relief	600 Ncm
dismantling length	50 mm
stripping length	12-14 mm



[www.manufacturer-safety.info](http://www.manufacturer-safety.info)