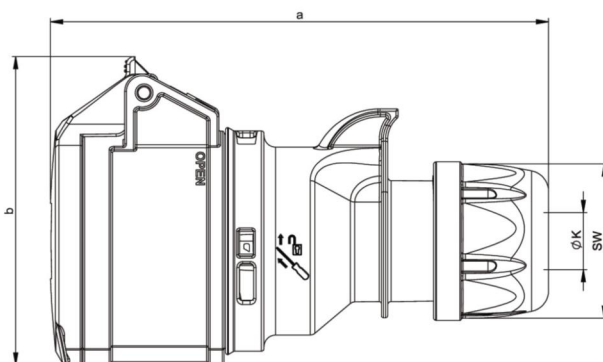


# PCE data sheet

article#	<b>213-1</b>
article description	<b>CEE-connector 16A 3p 1h IP44 SHARK</b>
description long	CEE-connector 16A 3p 1h IP44 SHARK housing material: PA6 rated current: 16A number of poles: 3 (2P+PE) clock-position: 1h rated voltage/frequency: >50V / others contacts: brass connection technology: screw terminals IP protection class: IP44
GTIN (EAN)	9003399143281
country of origin	AT
customs number	85366990
net weight	0.134 kg
packaging quantity	10
minimum order quantity	10

ETIM 8.0	EC001320
IEC-amperage	16 A
Number of poles	3
Voltage acc. EN 60309-2	Other
Clock hour position	1 h
Identification colour	Grey
Degree of protection (IP)	IP44
Connection system	Screwed terminal
Angle of plug	Straight
Cable entry	Swivel
Material	Plastic
Contact material	CuZn
Surface finish contacts	Untreated

a	133 mm
b	74 mm
K (cable Ø)	6-15 mm
SW	42 mm
wire flexible	1-2,5 mm <sup>2</sup>
contact screws	100 Ncm
strain relief	500 Ncm
dismantling length	50 mm
stripping length	10-12 mm



<https://www.pcelectric.at/shop/en/?func=detail&artnr=213-1>



[www.manufacturer-safety.info](http://www.manufacturer-safety.info)