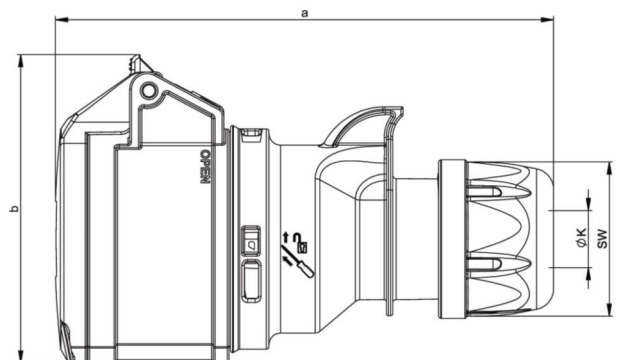


PCE data sheet

article#	215-1
article description	CEE-connector 16A 5p 1h IP44 SHARK
description long	CEE-connector 16A 5p 1h IP44/IP54 SHARK housing material: PA6 rated current: 16A number of poles: 5 (3P+N+PE) clock-position: 1h rated voltage/frequency: >50V contacts: brass connection technology: screw terminals IP protection class: IP44/IP54
GTIN (EAN)	9003399156366
country of origin	AT
customs number	85366990
net weight	0.180 kg
packaging quantity	10
minimum order quantity	10

ETIM 8.0	EC001320
IEC-amperage	16 A
Number of poles	5
Voltage acc. EN 60309-2	Other
Clock hour position	1 h
Identification colour	Grey
Degree of protection (IP)	IP44
Connection system	Screwed terminal
Angle of plug	Straight
Cable entry	Swivel
Material	Plastic
Contact material	CuZn
Surface finish contacts	Untreated

a	145 mm
b	89 mm
K (cable Ø)	8-16 mm
SW	42 mm
wire flexible	1-2,5 mm ²
contact screws	100 Ncm
strain relief	500 Ncm
dismantling length	50 mm
stripping length	10-12 mm



<https://www.pcelectric.at/shop/en/?func=detail&artnr=215-1>



www.manufacturer-safety.info